



U38 USER MANUAL

This product supports GPS positioning and is recommended for outdoor flight!
This wifi camera pinpoint is 5G, please confirm whether the phone is supported.

Note

- ▲ This product is suitable for users over 14 years old.
- ▲ Stay away from the rotating propeller
- ▲ Read the “important statement and safety guidelines” carefully.



Drone Battery Li-Po Battery Disposal & Recycling

Wasted Lithium-Polymer batteries must not be placed with household trash. Please contact local environmental or waste agency or the supplier of your model or your nearest Li-Po battery recycling center.

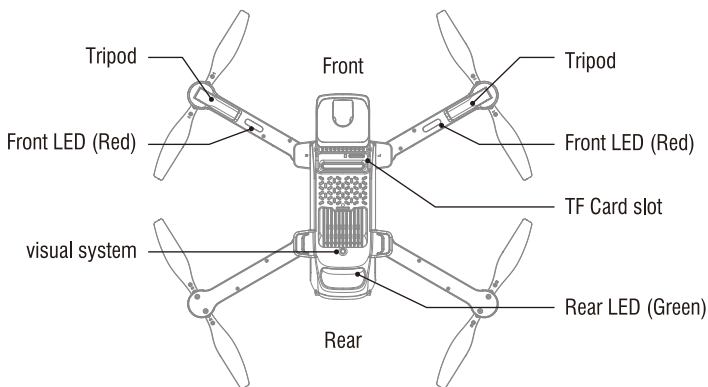
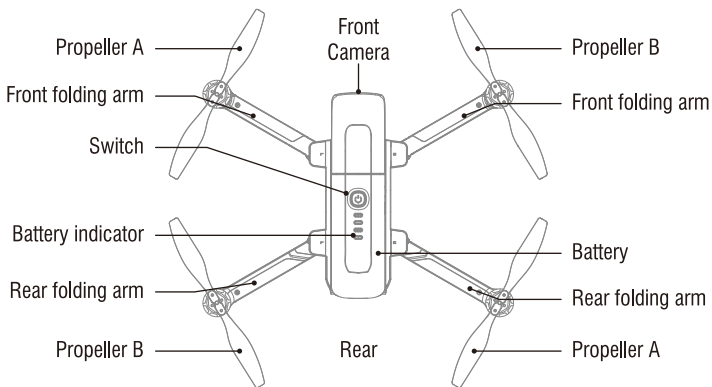


Important Notice

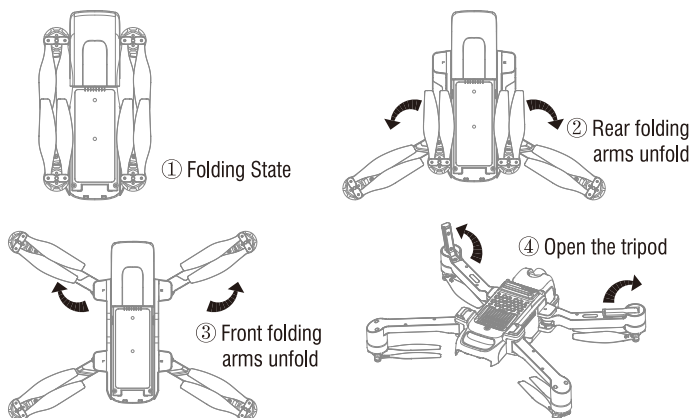
Our company's products are improving all the time, design and specifications are subject to change without notice. All the information in this manual has been carefully checked to ensure accuracy, if any printing errors, our company reserve the final interpretation right.

Ready before take off

Drone preparation



Unfolding Instruction

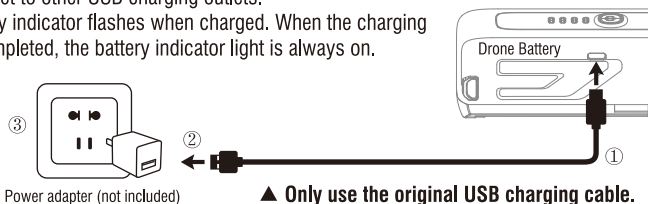


Battery charging

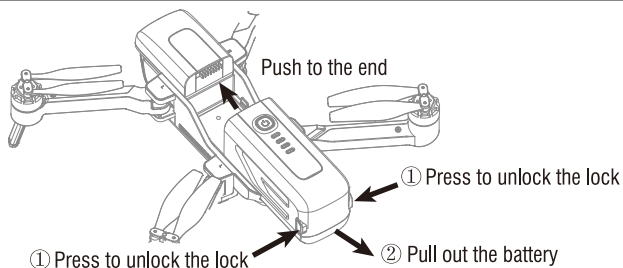
Battery power is low in the original factory, It must be fully charged before use.

Connect the batteries of the drone to the charging line of the original plant, and then connect to other USB charging outlets.

Battery indicator flashes when charged. When the charging is completed, the battery indicator light is always on.

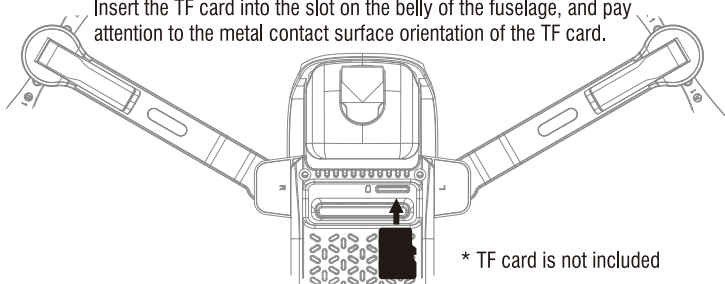


The installation method of battery

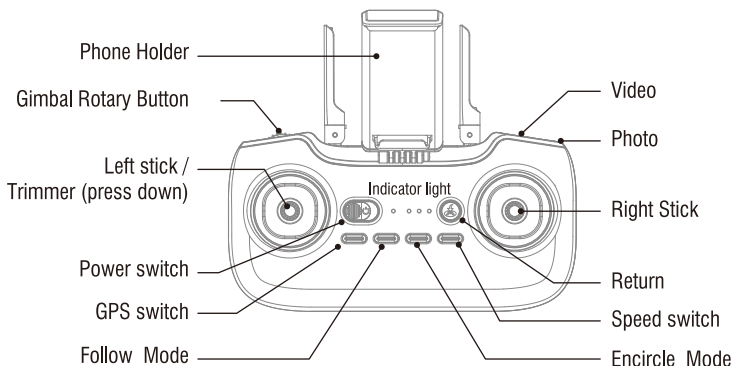


Installation of TF Card

Insert the TF card into the slot on the belly of the fuselage, and pay attention to the metal contact surface orientation of the TF card.



Transmitter

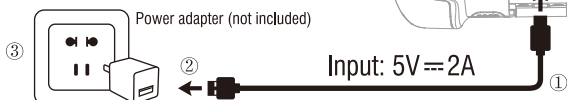


Transmitter charging

Battery power is low in the original factory, It must be fully charged before use.

Connect the transmitter with the charging line of the original plant, and then connect other USB charging outlets.

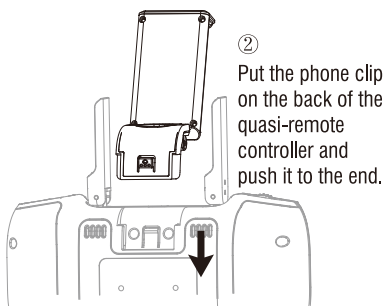
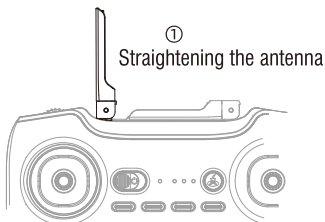
When charging, the transmitter indicator flashes circularly, and when charging is completed, the indicator will be on for a long time.



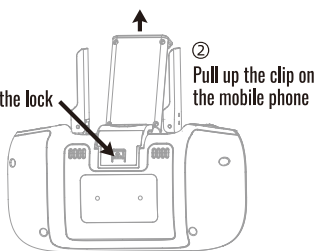
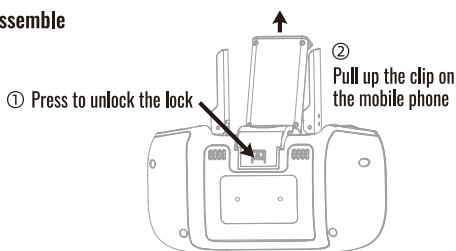
▲ Only use the original USB charging cable.

The installation methods of mobile phone holder

Installation

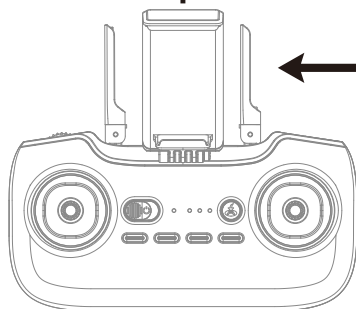


Disassemble

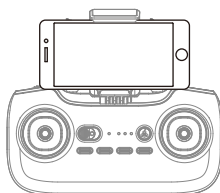


The installation methods of mobile phone

↑ ① Pull up the clip on the mobile phone.



② Place the phone in the upper and lower clamps. Between, the clamp will automatically clamp the mobile phone.



Flight Operations

Mobile phone connect with Drone

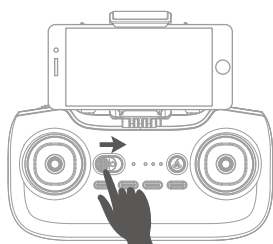
Download and install APP: UDIGPS

This software is suitable for mobile phones in the IOS 9.0 or later and Android 4.4 or later system. For detailed operation, please check the system "HELP" of APP.



Transmitter connect with Drone

Frequency Pairing

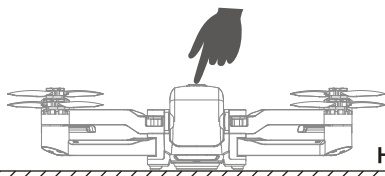


① Turn on the power.



② Pull the left stick to the lowest position and let go, the light goes off slowly. It indicates the transmitter enters the frequency state.

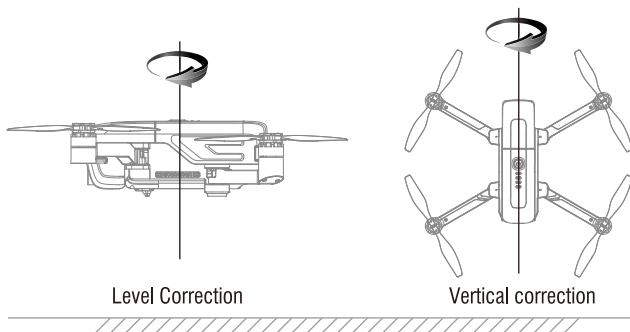
③ The drone is placed on the horizontal ground, and long press the power button for 2 seconds to start the machine. After the navigation light is on for 2 seconds, the front navigation light flashes and the rear navigation light goes out. At the same time, the remote control emits a prompt sound of "di", indicating successful frequency alignment and entering the horizontal calibration of compass.



Horizontal ground

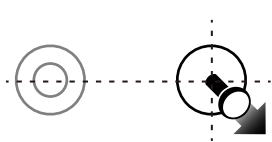
Compass calibration

Rotate the drone horizontally until the transmitter sound "di..." Level correction to complete. When the front navigation light turns to long light and the rear navigation light flashes, enter vertical correction. rotate the vehicle vertically until the transmitter sound "di...", vertical correction over. The lights are spinning and flashing.



Tips: It's a must to have the right compass adjustment first each time you start the drone, or it can't work normally.

Calibration (This action is used when flying abnormally)



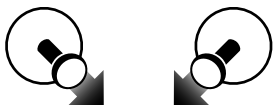
After the calibration of the compass, the right stick of the transmitter is pushed to the lower right corner by 45°, and the transmitter emits sound "di", and the drone light flashes and releases, indicating that the gyroscope has been calibrated. (drone should be placed on horizontal ground)

Tips: When the drone doesn't appear to use the trim correction flight status, or being hit hard (or falling abnormally). Thus cause the difficulties in controlling. Now frequency making and adjustment are needed again, drone should be placed on horizontal ground.

GPS Signal Search

After the frequency matching is successful, the drone automatically searches for GPS signals. When the blue indicator light of the remote control changes from flashing to long bright, it makes a sound of "di" at the same time, indicating that the GPS connection is successful. (when the GPS signal is weak or flying indoors, the flight height defaults to about 4 meters)

Unlocking the drone



Push the left and right stick inward to the 45° angle simultaneously.

- ① On standby drone, motor rotation, drone Unlocked.
- ② When the drone is not take off, the motor stops rotating and the drone is locked.

The drone can only take off when the motor is unlocked.

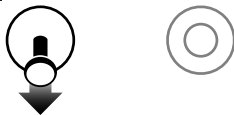
Take off

After unlocking the motor, the left stick slowly pushes up and the drone slowly rises.



Landing

During the flight, the left stick slowly pull down , and the drone slowly lands until landing.



Control stick operation

Left Stick



Go Up



Go Down



Counterclockwise turn



clockwise turn



Right Stick



Forward



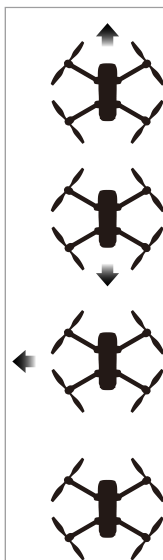
Backward




Fly to the left



Fly to the right



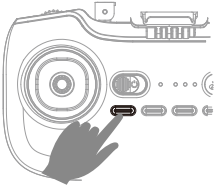
Return

During the flight, press the "  " button, and the transmitter will sound "di", and the drone will automatically return to the take-off point. (during returning, the transmitter will continuously sound "di". To stop homing, just press this button again.)



Notice: While returning, the control lever of the transmitter can not control the drone, it must be waited for the drone to go back to the take-off point. And after the direction of the drone is directed at the direction of taking off, in this way right stick can control the drone.

GPS ON / OFF



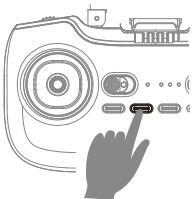
GPS is on by default.

GPS OFF: Press the "  " button, the transmitter will sound "di" and the blue indicator of the transmitter will go off, it means GPS will be off.

GPS ON: Press the "  " button and the blue indicator of the transmitter will keep bright. It means GPS restart.

Note: this function is only used when the motor is locked.

Following Function




While flying, press the "  " button, the transmitter sounds "di", the drone enters "following mode". Now it can be controlled by the user.

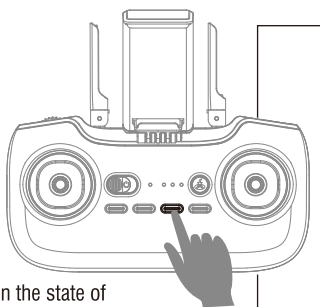
OFF: Press the "  " button again.

The function is standard by the mobile phone APP signal, so it's a must to make the drone and APP connected normally, turn on the mobile location service at the same time, otherwise this function is invalid

Note: follow the maximum range distance, within 1000m of the take-off point.

Encircling flight

In flight, press the "  " button, and the transmitter will make the sound of "di". Then it goes to the function of encircling flight. The drone will fly to a default radius then it waits for the direction controlled by the user. Adjust the speed and direction of the drone by manipulating the right stick. It is the minimum radius of the default radius acquiescently, so drone flies only in the sub range.



In the state of encircling flying, the left stick could only control the height of the drone.



Turn left, the drone flies clockwise; Move further, the flying speed will become faster.



Turn right, the drone flies counterclockwise; Move further, the speed will become faster.



Go upward to narrow the radius of encircling.



Go downside to enlarge the radius of encircling.

Speed mode switch

Medium speed default

Press "H/L" button, the transmitter will sound "di.di.di" to enter high speed mode "H".

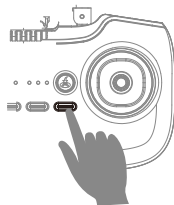
Press it again, the transmitter will sound "di" to enter low speed mode "L".

Press it again, the transmitter will sound "di.di" to enter medium speed mode "M".

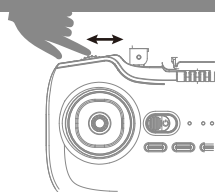
Low speed: suitable for beginners to practice without wind.

Medium speed: suitable for skilled operator operating in light breeze.

High speed: suitable for professional operation in outdoor wind resistance



Gimbal Adjustment



Roll Gimbal Rotary Button, adjust Camera Angle.

Tilting -90° to 0°



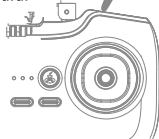
Photo

Press the "  " button once to take a picture and the transmitter will sound "di".



Video

Press the "  " button, the transmitter will sound "didi" to start recording. Repeat this action to stop recording and save the video.



Notes for Filming

- ① Photos taken will be saved to mobile picture library and aircraft TF card; Video can be saved in TF card first, which can be downloaded to mobile picture library for viewing. Please download video according to APP prompt. When downloading, maintain the normal connection between the mobile phone and the flyer, and the TF card is in the card slot.
- ② The APP must be authorized to read the phone gallery to view the aerial photos.
- ③ Turn off the power supply of the drone before taking out the TF card.
- ④ When aerial video is read by computer, it must have corresponding playback software.

Intelligent Hover

Intelligent flight control can calculate the suspended height, the visual system points the ground position, GPS coordinates allow the vehicle to stay in your desired position. Buy. The drone is like a camera fixed in the air. Aerial photography and control are very convenient.

Notice: Drone must be connected to GPS properly in order to give full play to fixed-point hovering function. Atmospheric pressure or wind force affects hovering stability.

Low Battery Alarm

When the transmitter is in low battery, the transmitter will continue to sound "di...di...di....." to remind the user to return home and charge the batteries of the transmitter as soon as possible.

Automatic Return

When the drone is in low battery, the transmitter will continue to sound "didi...didi", the drone's indicator lights turn from long to bright. After alarming you, the drone automatically returned to the take-off point.

Notice: After low-battery alarm, the drone will return home. Meanwhile, its controllable range will be reached to the 20 meter

Out of Range Alarm

When the drone is out of the remote control distance, the transmitter will continue to sound "didi.didi" to alarm the user to return the drone immediately.

Stuck Protection

When the propeller is stuck and does not rotate, the drone will start the automatic protection function to stop the motor working.

Out of Control Protection

Out of control protection refers to the flight control system automatically controls the drone to fly back to the return point after receiving the remote control signal (ie, out of control), the drone does not have the function of avoiding obstacles during the uncontrolled return flight. The user can set the return altitude value to avoid obstacles on the way back.

Possibility of entry into runaway protection mode

- * The remote control is off.
- * Flight distance exceeds the effective distance of remote control signal transmission.
- * There is an obstacle between the transmitter and the drone.
- * Transmitter signal is disturbed.

Flying Trimmer



Forward / Backward Trimmer

When flying, if the drone tilts forward, push the left stick down and push the right stick down. Otherwise push it up.



Left / Right Tilts Trimmer

When flying, if the drone tilts to the left, push the right stick down, meantime push the right stick to the right. Otherwise push it to the left.

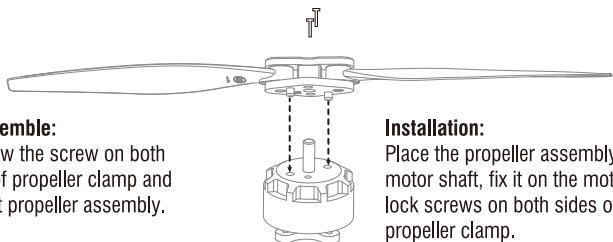


Left / Right Rotates Trimmer

When flying, if the drone head rotates to the left, push the right stick down, meantime push left stick to right. Otherwise push it to the left.

Parts Replacement

Propeller Replacement



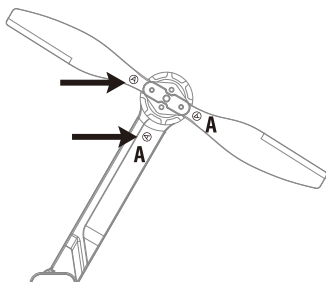
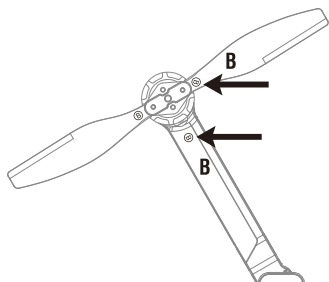
Disassemble:

Unscrew the screw on both sides of propeller clamp and pull out propeller assembly.

Installation:

Place the propeller assembly on the motor shaft, fix it on the motor, and lock screws on both sides of the propeller clamp.

Note: There are marked "A" and "B" on the back of the propeller. Please carefully check the letters "A" and "B" on the folding arm of the drone. The two letters must correspond to each other during installation.



Attention

- ① Switching sequence. At first, turn on the power of the transmitter, then turn on the power of the drone. After the end, turn off the power of the drone first, and then turn off the power of the transmitter.
- ② Improper operation caused the crash. It is necessary to check and confirm the connection of the motor, blade or electric pool of the aircraft and the damage degree, so that the aircraft can fly again. If it is damaged, please replace it with new accessories, otherwise it will easily cause flight accidents.
- ③ Battery must be removed when the drone is not in use.

Troubleshooting

Problem	Problem cause	Solution
The controller Indicator light is off.	Low battery.	Charge the controller battery.
	The batteries are incorrectly.	Install the batteries following the polarity indicators.
	The batteries are incorrectly positioned.	Clean the dirt between the battery and the battery contacts.
Failed to pair the drone with the controller.	Indicator light is off.	The same as above.
	There is an interfering signal nearby.	Restart the drone and power on the controller.
	Mis-operation.	Operate the drone step by step in accordance with the user manual.
	The electronic component is damaged for fiercely crash.	To buy spare parts from local seller and replace damaged parts.
The drone is under-powered or can not fly.	The propeller is seriously deformed.	Replace the propeller.
	Low battery.	Charge the drone battery.
	Incorrect installation of propeller.	Install the propeller in accordance with the user manual.
	Damage of Receiver board.	Replace the receiver board.
The drone could not hover and tilts to one side.	Improper Calibration.	Please refer to the Calibration.
	The propeller is seriously.	Replace the propeller.
	The motor holder is deformed after violent crash.	Replace the motor holder parts.
	The gyroscope did not reset after a serious crash.	Put the drone on the flat ground for about 10 minutes or restart the drone to calibrate again.
	Motor is damaged.	Replace the motor.
The drone indicator light is off.	Low battery.	Recharge the drone battery.
	The battery is expired or over discharge protection.	Buy a new battery from local seller to replace the battery or charge the battery.
	Poor contact	Connect and disconnect the battery.
Could not see the picture.	There is an interfering signal nearby.	Practice and read the cellphone controlling instruction carefully.
	Camera is damaged.	Replace Camera.
Hard to control by cellphone.	Not experienced enough.	Practice and read the cellphone controlling instruction carefully.
Can't altitude hold.	The propeller is seriously.	Replace propeller.
	Atmospheric pressure is not stable.	Refer to "Altitude Hold Mode" instruction.
Can't position hold.	Whether the GPS has connected or not.	Search again to connect the GPS signal.
	Optical flow board is damaged.	Please replace a new one.
Searchedbut could not find the GPS signal.	GPS module is damaged.	Please replace a new one.
	GPS module plug is loose.	Please check to see if it's connected normally.

FCC Note

This equipment has been tested and found to comply with the limits for a Class B digital device, pursuant to Part 15 of the FCC Rules. These limits are designed to provide reasonable protection against harmful interference in a residential installation. This equipment generates uses and can radiate radio frequency energy and, if not installed and used in accordance with the instructions, may cause harmful interference to radio communications. However, there is no guarantee that interference will not occur in a particular installation. If this equipment does cause harmful interference to radio or television reception, which can be determined by turning the equipment off and on, the user is encouraged to try to correct the interference by one or more of the following measures:

- Reorient or relocate the receiving antenna.
- Increase the separation between the equipment and receiver.
- Connect the equipment into an outlet on a circuit different from that to which the receiver is connected.

WARNING: Changes or modifications not expressly approved by the party responsible for compliance could void the user's authority to operate the equipment.

The equipment may generate or use radio frequency energy. Changes or modifications to this equipment may cause harmful interference unless the modifications are expressly approved in the instruction manual. Modifications not authorized by the manufacturer may void user's authority to operate this device.

This device complies with Part 15 of the FCC Rules. Operation is subject to the following two conditions:

- (1) This device may not cause harmful interference.
- (2) This device must accept any interference received, including interference that may cause undesired operation.

FCC Radiation Exposure Statement

The device has been evaluated to meet general RF exposure requirement.

The device can be used in portable exposure condition with out restriction.

WARNING

Warning: The product should only be used by adults and children over 14 years.

Adult supervision is required for children under 14 years.

Hinweis: Dieses Produkt ist für die Erwachsene und die Kinder ab 14 Jahren.

Die Kinder unter 14 Jahren müssen von Erwachsenen beaufsichtigt werden.

Avertissement: Ce produit est destiné aux adultes et aux enfants de plus de 14 ans.

Les enfants de moins de 14 ans doivent être surveillés par des adultes.

Avvertimento: Questo prodotto è destinato all'uso per i adulti e bambini di età superiore ai 14 anni.

I bambini di età inferiore ai 14 anni devono essere sorvegliati da un adulto.

Advertencia: Este producto es para adultos y niños mayores de 14 años.

Los niños menores de 14 años deben ser supervisados por adultos.

警告: この製品は、大人と14歳以上の子供には使用対象です。14歳未満の子供は大人の監視が必要です。



DANGER!
Only suitable
for age 14+



Manufacturer company: SHANTOU CITY CHENGHAI UDIRC TOYS CO., LTD

Manufacture address: Guangfeng Industrial Zone, Guangyi Street, Chenghai District, Shantou City, Guangdong Province, China

Model: U38

Manufacture time:

MADE IN CHINA