

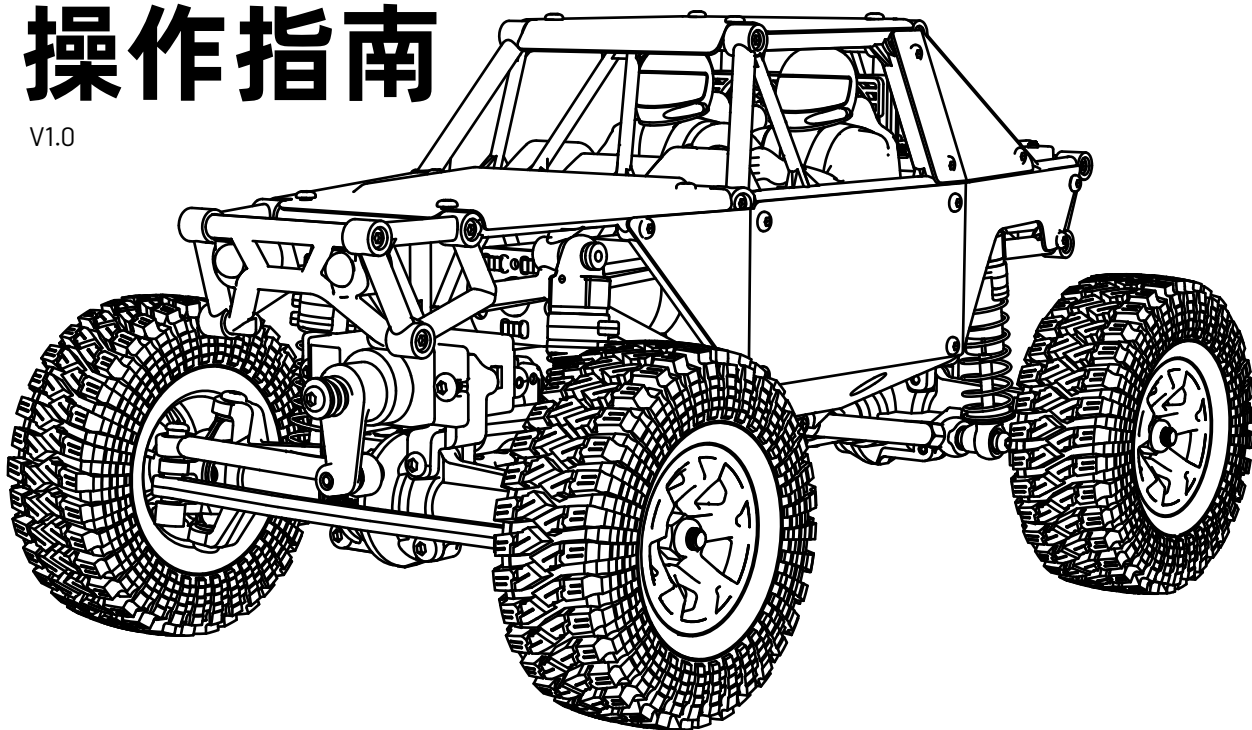
**udirvc**

**SNOW  
LEOPARD**

# OPERATING INSTRUCTIONS

## 操作指南

V1.0



This product is suitable for users over 14 years old.  
Please read this instruction manual carefully before use.

本产品适合14岁以上的用户使用  
操作前请仔细阅读此说明书



## IMPORTANT NOTICE 重要通知

**The package or instruction manual contains important information and must be retained.**

Our company's products are improving all the time, design and specifications are subject to change without notice. All the information in this manual has been carefully checked to ensure accuracy, if any printing errors, our company reserve the final interpretation right.

**The spare parts (including batteries and chargers) mentioned in the User Manual are subject to sales. KIT version not included electronic component .**

**包装或说明书中含有重要信息必须予以保留。**

我们的产品一直在改进，设计和规格如有变更，将不另行通知。本手册所有内容均已仔细核对，以确保准确性，如有印刷错误，本公司保留最终解释权。

**操作指南中涉及的零配件（包括电池和充电器）均以销售所得为准。KIT版本不包含电子元件。**

## THANK YOU 谢谢

- Thank you for choosing this product. If you have any problems or need help, please call us and we will try our best to help you.
- This is a radio control model product, not a toy! which needs regular maintenance to obtain the best performance. If you don't do regular maintenance, it can affect performance. We have all the necessary parts and accessories to ensure that your vehicle maintains its best performance.
- The warning or attention symbol will alert you to potentially dangerous steps. Please read and understand the instructions carefully before proceeding.
- 感谢您选择本产品！如果您遇到任何问题或需要帮助请致电我们，我们将尽最大努力为您提供帮助。
- 此无线遥控模型产品，并非玩具，需定期维护才能获得最佳性能。如果您不进行定期维护，则会影响性能。我们拥有所有必要的零件和附件，可确保您的车辆保持最佳性能。
- 警告或注意符号将警告您有关可能非常危险的步骤。在继续操作之前，请仔细阅读并理解说明事项。



**WARNING**  
警告



**ATTENTION**  
注意

***Failure to follow these instructions may result in injury to yourself or others. You may also cause property damage or model damage.***

**不遵守这些说明可能会导致您自己或他人受伤。您也可能造成财产损失或模型损坏。**

**For more safety precautions, please refer to the "Disclaimer and Safety Operation Guidelines". Usage: Please follow the instructions to install and operate the model.**

**更多安全事项请参阅《免责声明及安全操作指引》  
使用方法：请遵照说明书安装、操作模型。**

# ⚠ WARNING 警告

<b>Before Operation</b>	<ul style="list-style-type: none"> <li>● Read the instruction manual in detail, or ask for the person with experience in operation, and read with the guardian if necessary.</li> <li>● Make sure all screws and nuts are properly tightened.</li> <li>● The remote control and the vehicle should always use the battery with saturated power to avoid losing control of the model.</li> <li>● Please make sure that the throttle trigger is in the center position.</li> </ul>	<b>操作前</b>	<ul style="list-style-type: none"> <li>● 详细阅读说明书，或请教有操作经验的人，必要时与监护人一起阅读。</li> <li>● 确保正确拧紧所有螺丝和螺母。</li> <li>● 遥控器和车辆请始终使用电量饱和的电池，以免失去对模型的控制。</li> <li>● 请确认油门扳机在正中心位置。</li> </ul>
<b>During Operation</b>	<ul style="list-style-type: none"> <li>● First turn on the power of the remote control, and then turn on the power of the model.</li> <li>● Use this product only in open areas (&gt;5x5m) without pedestrians.</li> <li>● DO NOT put fingers or any objects inside rotating and moving parts.</li> </ul>	<b>操作时</b>	<ul style="list-style-type: none"> <li>● 首先打开遥控器电源，然后打开车辆电源。</li> <li>● 只在空旷(&gt;5x5m)无人的地方使用本产品。</li> <li>● 不可将手指或其他物体放进正在旋转或移动的部件中。</li> </ul>
<b>After Operation</b>	<ul style="list-style-type: none"> <li>● First turn off the model power, then turn off the remote control power. And take out the battery.</li> <li>● Daily maintenance is required after the model is used.</li> </ul>	<b>操作后</b>	<ul style="list-style-type: none"> <li>● 首先关闭车辆电源，然后关闭遥控器电源。并取出电池。</li> <li>● 车辆使用完毕需进行日常维护。</li> </ul>

## Warning:

The product should only be used by adults and children over 14 years. Adult supervision is required for children under 14 years.

## Hinweis:

Dieses Produkt ist für die Erwachsene und die Kinder ab 14 Jahren. Die Kinder unter 14 Jahren müssen von Erwachsenen beaufsichtigt werden.

## Avertissement:

Ce produit est destiné aux adultes et aux enfants de plus de 14 ans. Les enfants de moins de 14 ans doivent être surveillés par des adultes.

## Avvertimento:

Questo prodotto è destinato all'uso per i adulti e bambini di età superiore ai 14 anni.

I bambini di età inferiore ai 14 anni devono essere sorvegliati da un adulto.

## Advertencia:

Este producto es para adultos y niños mayores de 14 años.

Los niños menores de 14 años deben ser supervisados por adultos.

**警告:** この製品は、大人と14歳以上の子供には使用対象です。

14歳未満の子供は大人の監視が必要です。

## ريذحت:

أماع 14 نس قوف لافطال او نيغلابلال لبق نم طوق جتنملا مادختسا بجي

أماع 14 نس نود لافطال بولطم رابكلا فارشا

- 本产品是模型产品，14岁以下儿童不得使用，以免产生危险。
- 激光辐射，勿直视光束！
- 电机为发热部件，请勿触摸，以免发生烫伤的危险。
- 不要靠近耳朵使用！误用可能导致听力损坏。
- 为保证航空无线电台（站）电磁环境的要求，禁止在以机场跑道为中心点为圆心、半径5000米的区域内使用各类模型遥控器。
- 在国家有关部门发布无线电管制命令的期间、区域区，应按要求停止使用模型遥控器。
- 定期检查充电器及连接部件是否损坏，发现损坏时应停止使用，直至修复完好。
- 本产品只能使用厂家配送的USB充电器连接到质量合格的USB插口进行供电，若不按要求操作，会造成电路异常甚至产品损坏，可能会对人有伤害风险！



## DANGER!

Only suitable for age 14+

# ! ATTENTION 注意

- The model must stop immediately and check for the reasons when it is operating abnormal.
- Keep in mind that people around you may also operate a radio control model.
- The motor is a heating part, please do not touch it.
- If you don't use the model for a long time, please raise the chassis to let the wheels hang in the air.

**Please use this product only in empty place! It is strictly forbidden to use it on roads, living area, parks, indoor areas, children or places where people gather, otherwise injury may occur.**

- 模型车运行异常时需立即停止操作并检查原因。
- 保持警惕，周围可能有人也在操作模型车。
- 电机为发热部件，请勿触碰。
- 若长时间不使用请将模型车的底盘架高，让车轮悬空。

**只可在空旷无人的地方使用本产品！严禁在公路、生活区、公园、室内、儿童或人群聚集的地方使用，否则可能发生伤害危险。**



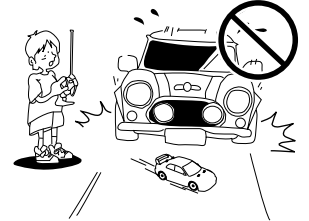
The product contains small and sharp parts. Keep away from children.

产品含有小且尖锐的零件，所以在装配和贮藏时，要放在儿童摸不到的地方。



Be sure to read the instruction manual in detail, or ask for the person with experience in operation, and read with the guardian if necessary.

开始使用前，详细阅读说明书，或请教有操作经验的人，必要时与监护人一起阅读。



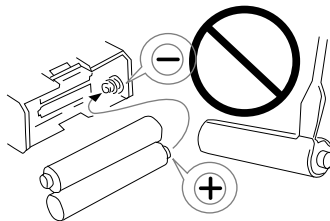
DO NOT operate in public streets or crowded places to avoid accidents.

请勿在公共街道或人群拥挤的地方操作，以免发生意外事故。



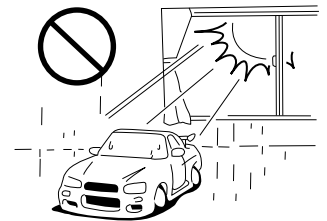
Cutters, nippers and screw drivers need careful handling.

刀具，镊子，螺丝等需小心处理。



Please don't reverse contact or disassemble the battery, as this way will cause the battery to explode.

勿反接或分解电池，这会导致电池爆炸的危险。



DO NOT put the model in high temperature, humidity and direct sunlight.

勿把模型放在高温，潮湿及阳光直射的地方。

# ⚠ BATTERY SAFETY 电池注意事项

- Please read and observe all precautions before use. Improper use of battery may cause danger.
- It is normal for the battery to heat up after operation. Please be careful when handling the battery. If the wire is worn, it is easy to short circuit and cause fire.
- Wasted li-ion battery must not be placed with household trash. please contact local environmental or waste agency or the supplier of your model or your nearest li-ion battery recycling center.

- 1) After use, please disconnect the power supply and pull out the plug;
- 2) Remove the battery from the model before charging;
- 3) DO NOT charge the battery when it is bulging or expanding;
- 4) Keep away from damp, corrosive environment and heat source;
- 5) Please charge the battery under adult supervision;
- 6) Pay attention to the polarity of the battery when installing or replacing the battery;
- 7) Different types of batteries or old and new batteries should not be mixed;
- 8) DO NOT short circuit any terminals;
- 9) DO NOT short circuit, decompose or put the battery into fire;
- 10) Please use the attached special charger to charge the battery.

- 1) 产品使用充电电池，遥控器使用4节1.5V 7号电池；
- 2) 电池取出和装入应按产品及遥控器电池室上的极性和电压标志进行正确操作，电池不应短路；
- 3) 非充电电池不能充电；
- 4) 充电电池必须在成人监护下充电；
- 5) 充电电池在充电前应从产品中取出；
- 6) 不同类型的电池或新旧电池不能混用；
- 7) 只有和推荐电池相同或者等效的电池方可使用；
- 8) 用尽的电池应从产品及遥控器中取出，若长期不使用，请将产品及遥控器中电池取出；
- 9) 电源端子不得短路；
- 10) 不能连接到多于推荐数量的电源上。
- 11) 充电电池组只能使用生产者提供的USB线进行充电，USB线不是模型。

## Li-Po Battery Disposal & Recycling



Wasted Lithium-Polymer batteries must not be placed with household trash. Please contact local environmental or waste agency or the supplier of your model or your nearest Li-Po battery recycling center.



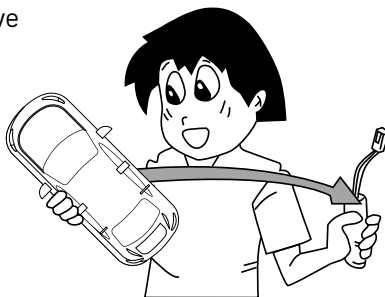
### 锂电池处理与回收

废旧锂聚合物电池不得与家庭垃圾放在一起。请联系当地环保或废物处理机构或您的产品供应商或离您最近的锂电池回收中心。

# PRODUCT MAINTENANCE 车辆维护

When not in use, remove the battery from the model and transmitter.

不使用时，取出车辆和遥控器的电池。



Please remove the sediment and dirt on the car completely and must be kept dry after play.

入库前完全除去车上的泥沙污垢，必须保持车辆干燥。



Apply lubricating oil to external metal parts.

外漏轮毂杯和金属件打油。



Please separate the car and battery when not in use.

不使用时，车辆和电池单独放好。



## FCC Note

This equipment has been tested and found to comply with the limits for a Class B digital device, pursuant to Part 15 of the FCC Rules. These limits are designed to provide reasonable protection against harmful interference in a residential installation. This equipment generates uses and can radiate radio frequency energy and, if not installed and used in accordance with the instructions, may cause harmful interference to radio communications. However, there is no guarantee that interference will not occur in a particular installation. If this equipment does cause harmful interference to radio or television reception, which can be determined by turning the equipment off and on, the user is encouraged to try to correct the interference by one or more of the following measures:

- Reorient or relocate the receiving antenna.
- Increase the separation between the equipment and receiver.
- Connect the equipment into an outlet on a circuit different from that to which the receiver is connected.

**WARNING: Changes or modifications not expressly approved by the party responsible for compliance could void the user's authority to operate the equipment.**

### FCC Notice

The equipment may generate or use radio frequency energy. Changes or modifications to this equipment may cause harmful interference unless the modifications are expressly approved in the instruction manual. Modifications not authorized by the manufacturer may void user's authority to operate this device.

This device complies with Part 15 of the FCC Rules. Operation is subject to the following two conditions:

- (1) This device may not cause harmful interference.
- (2) This device must accept any interference received, including interference that may cause undesired operation.

### FCC Radiation Exposure Statement

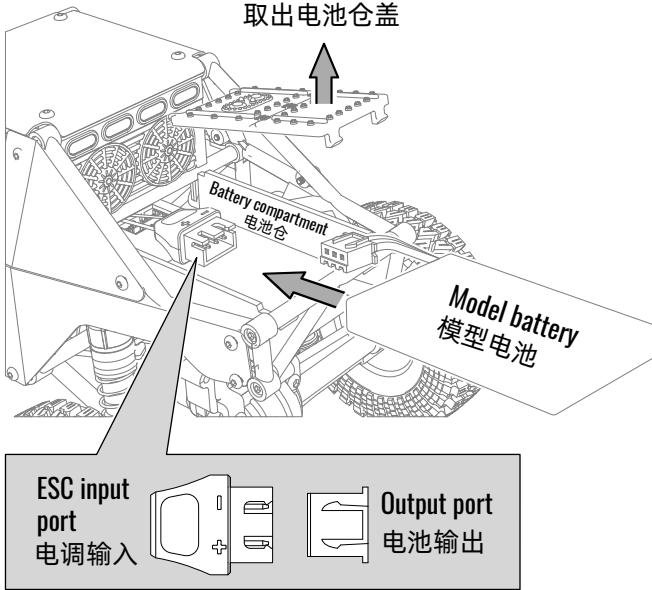
The device has been evaluated to meet general RF exposure requirement.  
The device can be used in portable exposure condition without restriction.

# TROUBLESHOOTING 常见故障解析

Cause 故障	Solution 解决方法
Long frequency matching time	The signal is disturbed, restart the car and the transmitter.
Operation delay	Please make sure there are obstacles or interferences.
The indicator of the transmitter is not bright	Please make sure the battery is installed correctly or replace it with a new one.
	If the transmitter doesn't work, please replace it with a new one.
The steering of the model car has no force or function	Increase the percentage of steering.
	Please make sure the steering is it include the sundries or some parts damaged.
The model car cannot shift gears	Replacement of new shift servo
	The shift tension spring falls off or is damaged
	Parts inside the central transmission are damaged
	Transmitter is faulty or damaged
The vehicle moves forward (backward) automatically or makes a sound of "en...."	Restart the transmitter
Remote control car doesn't work	When the battery is low, charger it in time or replace it with new battery.
	Please make sure the wheel or drive shaft is entangled by debris and remove it.
	The motor may have reached the expiration date, replace with the same motor.
	Please keep the car within effective control distance.
	When the battery of the transmitter in low battery, please replace it in time.
	Check whether all parts of the model car are damaged and replace them.
	High temperature protection is triggered when the ESC's temperature is too high, Please pause for 10 minutes before using.
对频时间长	信号受干扰，重启车辆和遥控器
操控延时	确认是否有障碍物或干扰物
遥控器指示灯不亮	检查是否正确安装电池或更换新电池
	遥控器故障更换新遥控器
模型车转向没力或没功能	增加转向幅度的百分比
	检查转向机构是否有杂物或配件损坏
模型车无法换挡	更换新的挂挡舵机
	挂挡拉簧脱落或损坏
	中央变速箱内部有配件损坏
	遥控器故障或损坏
车辆自动前进/后退，或发出“en....”声音	确认油门扳机在中位并重启遥控器
遥控车不运行	电池电量不足，及时充电或更换新电池
	电机或已达使用期限，更换相同的电机
	保持在有效的控制距离内
	遥控器电池电量不足，及时更换新电
	检查模型车各部件是否损坏并更换
	电调温度过高触发高温保护，暂停10分钟后再使用
	检查车轮或传动轴是否被杂物缠住，并去除

# ASSEMBLY OF MODEL BATTERY 模型电池的装配

Remove the battery compartment cover  
取出电池仓盖



Put the battery into the battery compartment and connect with the ESC.  
Reset the compartment cover.

*Take out the battery when not in use, otherwise the battery is easily damaged.*

将电池装入电池仓内，并与电调连接，复位仓盖。

不使用时电池需取出，否则电池易损坏。

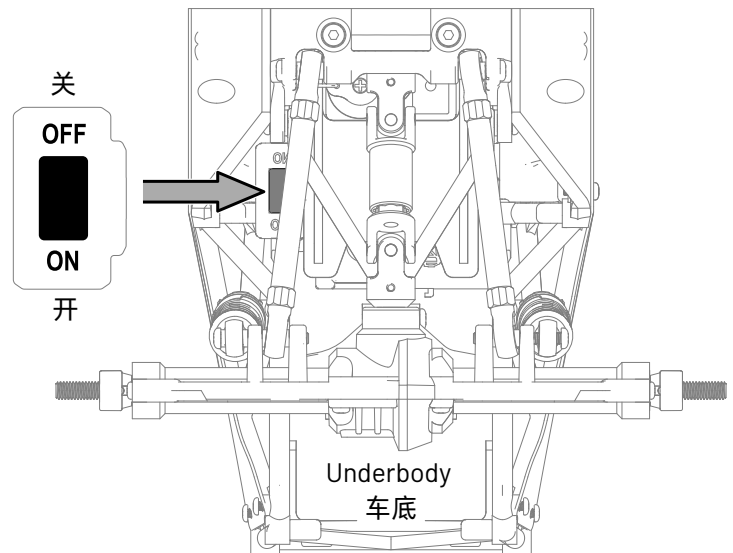
# FREQUENCY MATCHING 对频

- 1) Power on the transmitter, will sound "di", and the indicator light flashes.
- 2) Turn on the car power. The lights are flashing to enter the frequency state.

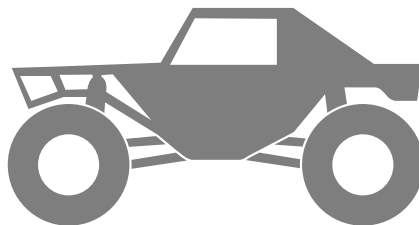
The transmitter and the car will carry out automatic frequency matching. When the indicator light of the transmitter and the car lights are always on, the frequency matching is successful.

- 1) 开启遥控器电源，指示灯快速闪烁。
- 2) 开启车辆电源。车灯闪烁。进入对频状态。

遥控器和车辆会自动对频，当遥控器指示灯和车灯常亮时，则对频成功。



Placed on Horizontal ground



置于水平地面



# Body Assembly

## 车身总成

UCX24-P060

UCX24-S012  
ø1.6×6mm TM  
×3pcs

UCX24-S012  
ø1.6×6mm TM  
×7pcs

UCX24-S012  
ø1.6×6mm TM  
×12pcs

UCX24-S005  
ø2.0×6mm TM

UCX24-P076

UCX24-S005  
ø2.0×6mm TM

UCX24-S012  
ø1.6×6mm TM  
×12pcs

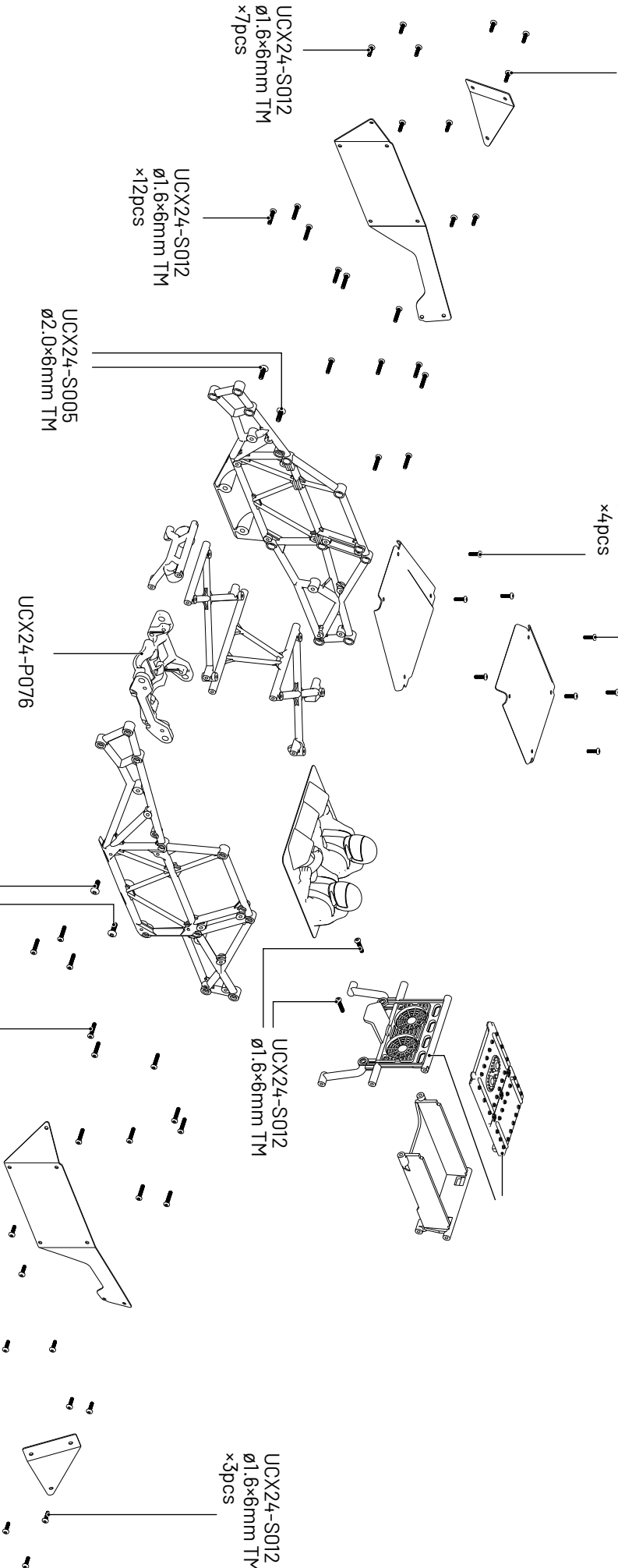
UCX24-S012  
ø1.6×6mm TM  
×7pcs

UCX24-S012  
ø1.6×6mm TM  
×4pcs

UCX24-S012  
ø1.6×6mm TM  
×4pcs

UCX24-S012  
ø1.6×6mm TM

UCX24-S012  
ø1.6×6mm TM  
×3pcs

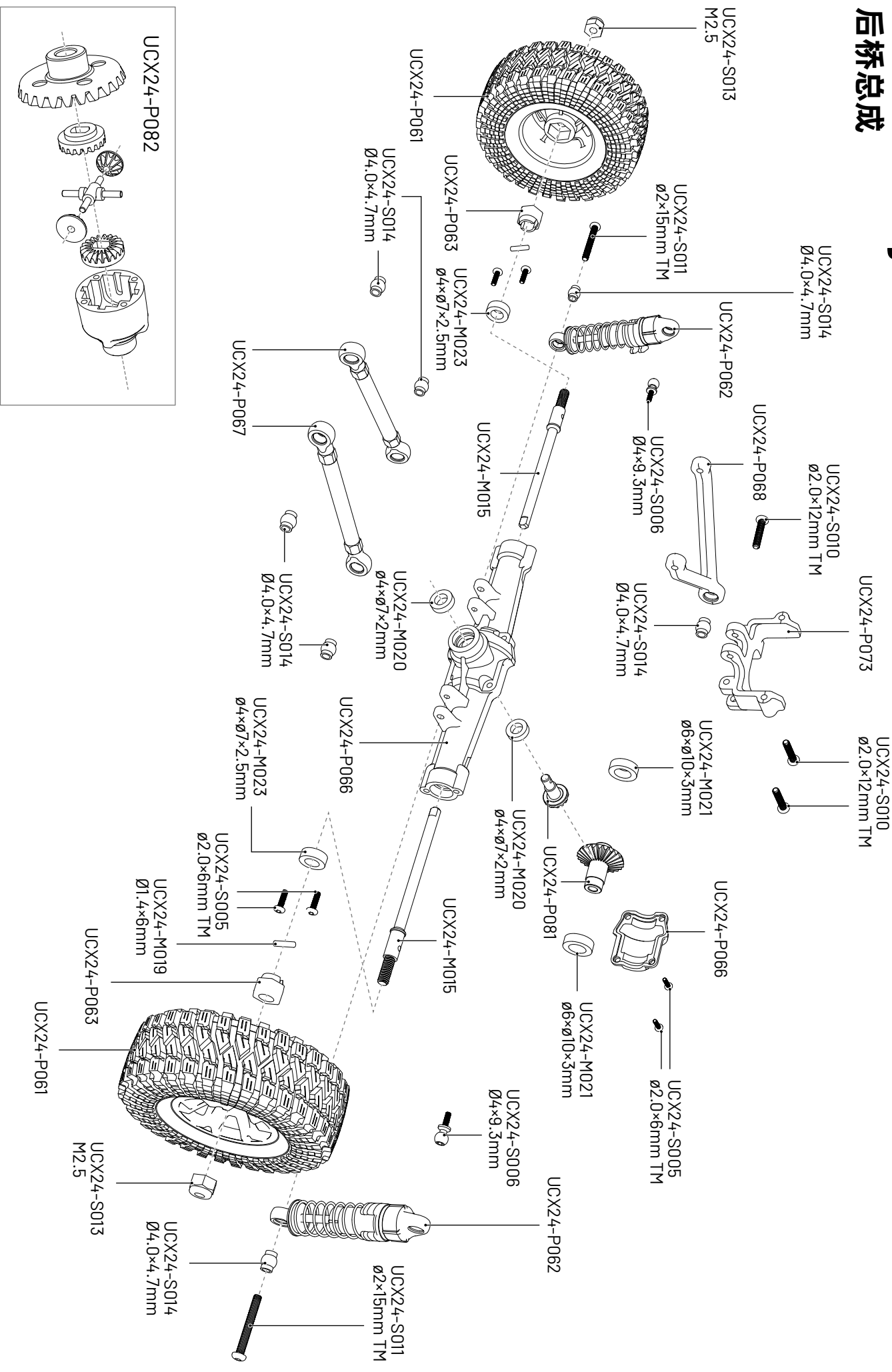




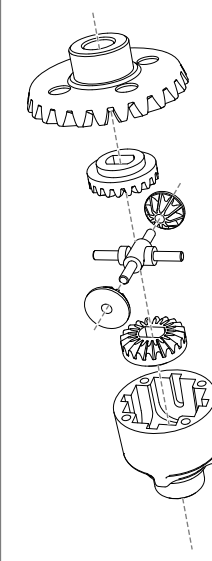


# Rear Assembly

## 后桥总成



UCX24-P082





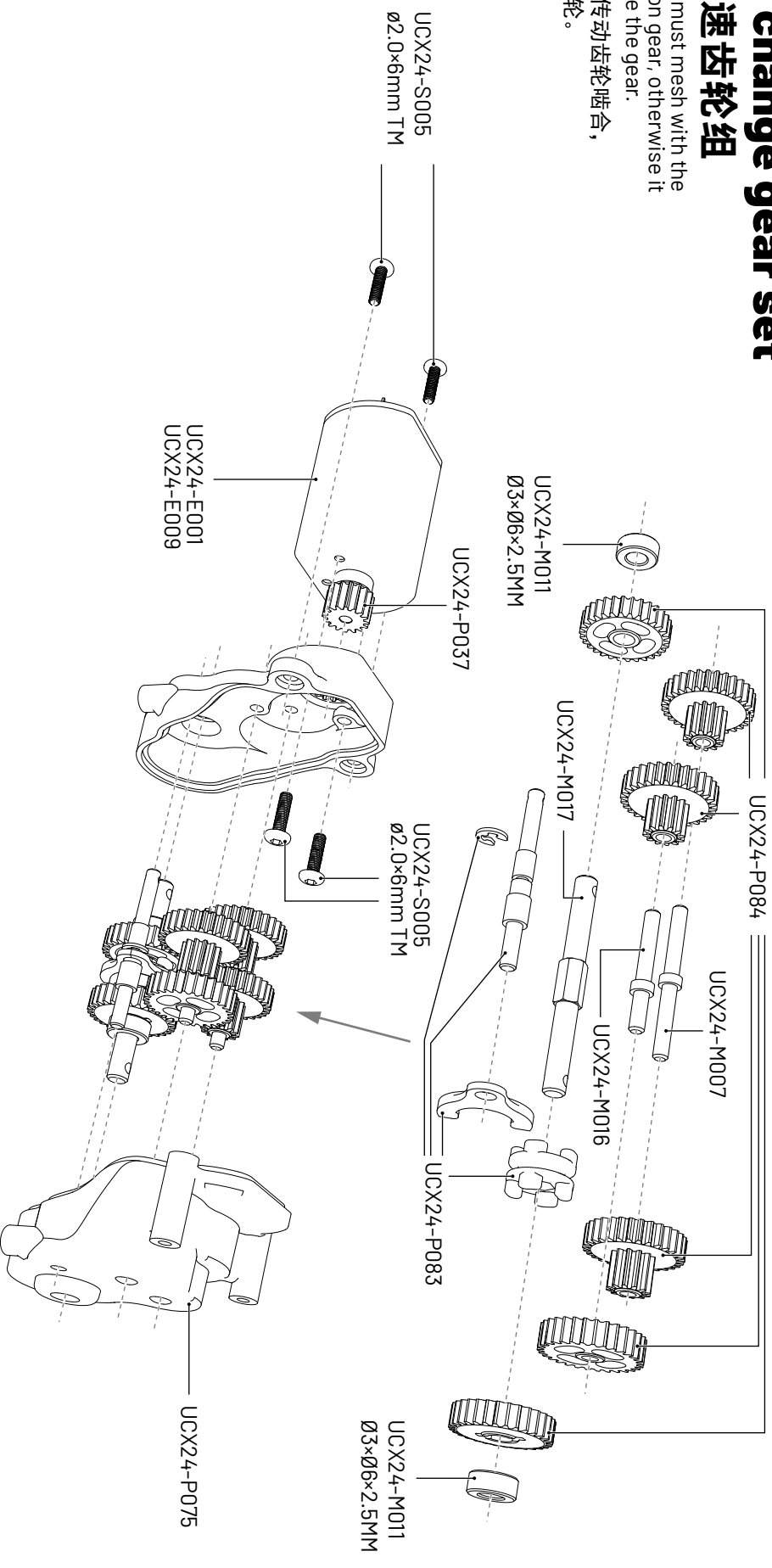
# Motor / change gear set

## 电机 / 变速齿轮组

The motor teeth must mesh with the main transmission gear, otherwise it is easy to damage the gear.

电机齿必须与主传动齿轮啮合，否则容易损坏齿轮。

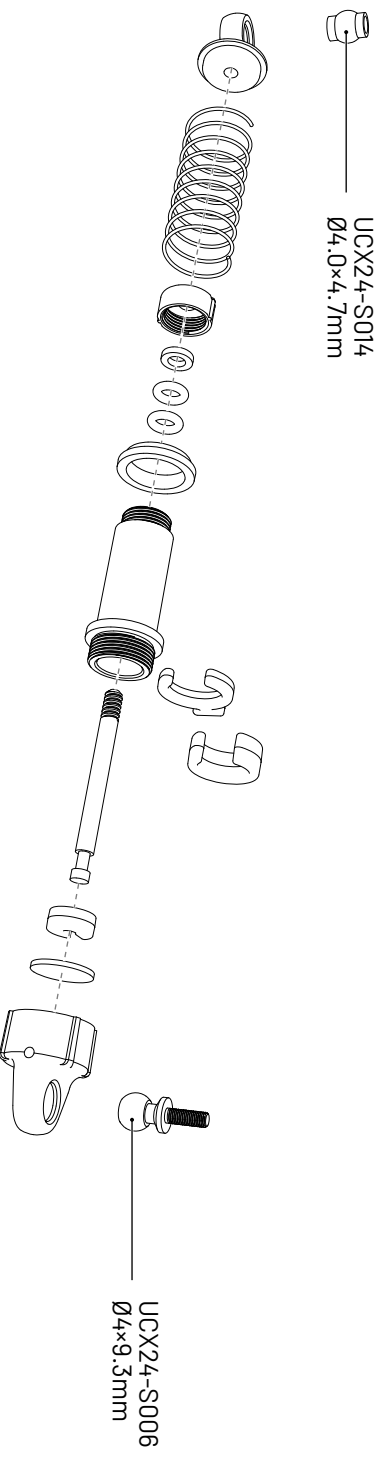
UCX24-P080



# Shock absorber

## 减震器

UCX24-P062



# BUYABLE ACCESSORIES 可购买配件

Part#	Name	名称
UCX24-P037	Motor gear (Metal)	电机齿(金属)
UCX24-P060	Body assembly	车壳组件
UCX24-P061	Wheel	车轮
UCX24-P062	Shock absorber	减震器
UCX24-P063	Wheel adapters	结合器
UCX24-P064	Steering hub set	转向杯
UCX24-P065	Front axle	前车桥
UCX24-P066	Rear axle	后车桥
UCX24-P067	Front/Rear axle rod	前后桥拉杆
UCX24-P068	Y shape linkage	Y型车桥支架
UCX24-P069	Steering linkage	转向拉杆
UCX24-P070	Servo linkage	舵机拉杆
UCX24-P071	Steering servo	转向舵机组件
UCX24-P072	Variable speed servo	换挡舵机组件
UCX24-P073	Servo support	舵机支架
UCX24-P074	Support plate	支撑板
UCX24-P075	Differential housing	中央变速箱壳
UCX24-P076	Gearbox support	波箱支架
UCX24-P077	Center driveshaft	中央传动轴
UCX24-P078	Front axle assembly	前车桥组件
UCX24-P079	Rear axle assembly	后车桥组件
UCX24-P080	Central transmission assembly (Brushled)	中央变速箱组件(有刷)
UCX24-P081	Axle shift teeth (Metal)	车桥变速齿(金属)
UCX24-P082	Differential assembly (Metal)	差速器(金属)
UCX24-P083	Shift lever	档位拉轴
UCX24-P084	Shift gear set	换挡齿轮组
UCX24-P085	Central transmission assembly (Brushless)	中央变速箱组件(无刷)
UCX24-P087	Front axle steering assembly	前车桥转向组件
UCX24-E001	Carbon brush motor	碳刷电机
UCX24-E003	Speed control & Receiver (Brushled)	电调接收器(有刷)
UCX24-E004	Model battery	模型电池
UCX24-E005	Charger	充电器
UCX24-E007	Transmitter	遥控器
UCX24-E008	Speed control & Receiver (Brushless)	电调接收器(无刷)
UCX24-E009	Brushless motor	无刷电机
UCX24-M007	Main gear shaft ( $\varnothing 3 \times \varnothing 2 \times 22\text{mm}$ )	一级齿轮轴
UCX24-M011	Ball bearing ( $\varnothing 3 \times \varnothing 6 \times 2.5\text{mm}$ )	滚珠轴承
UCX24-M014	Front axle CVD driveshaft	前桥CVD
UCX24-M015	Rear axle half shaft	后桥半轴
UCX24-M016	Transmission gear shaft ( $\varnothing 3 \times \varnothing 2 \times 17\text{mm}$ )	二级齿轮轴
UCX24-M017	Gear spindle ( $\varnothing 2.98 \times 3.4 \times 31.2\text{mm}$ )	档位主轴
UCX24-M018	Steering washers	转向垫套
UCX24-M019	Pin ( $\varnothing 1.4 \times 6\text{mm}$ )	光轴
UCX24-M020	Ball bearing ( $\varnothing 4 \times \varnothing 7 \times 2\text{mm}$ )	滚珠轴承
UCX24-M021	Ball bearing ( $\varnothing 6 \times \varnothing 10 \times 3\text{mm}$ )	滚珠轴承
UCX24-M022	Ball bearing ( $\varnothing 7 \times \varnothing 11 \times 3\text{mm}$ )	滚珠轴承
UCX24-M023	Ball bearing ( $\varnothing 4 \times \varnothing 7 \times 2.5\text{mm}$ )	滚珠轴承
UCX24-S001	Hexagon socket button head machine screw ( $\varnothing 1.4 \times 5\text{mm}$ TM)	内六角扁圆头机牙螺丝
UCX24-S005	Hexagon socket button head machine screw ( $\varnothing 2.0 \times 6\text{mm}$ TM)	内六角扁圆头机牙螺丝
UCX24-S006	Hollow ball screw ( $\varnothing 4 \times 9.3\text{mm}$ )	球头螺丝
UCX24-S010	Hexagon socket button head machine screw ( $\varnothing 2.0 \times 12\text{mm}$ TM)	内六角扁圆头机牙螺丝
UCX24-S011	Hexagon socket button head machine screw ( $\varnothing 2.0 \times 15\text{mm}$ TM)	内六角扁圆头机牙螺丝
UCX24-S012	Hexagon socket button head machine screw ( $\varnothing 1.6 \times 6\text{mm}$ TM)	内六角扁圆头机牙螺丝
UCX24-S013	M2.5 Hex flanged nylon lock nut	M2.5 法兰尼龙防松螺母
UCX24-S014	Hollow ball ( $\varnothing 4.0 \times 4.7\text{mm}$ )	球头



**Manufacturer: SHANTOU CITY UDIRC TECHNOLOGY CO., LTD**  
Address: Guangfeng Industrial Zone, Guangyi Street, Chenghai District, Shantou City, Guangdong Province, CN