



UD1805 / UD1805PRO / UD1806 / UD1806PRO  
1/18 UDISPORT DESERT RACING BUGGY

# OPERATING INSTRUCTIONS

FULL PROPORTIONAL REMOTE CONTROL UDIRACING SERIES

V1.0



*This product is suitable for users over 14 years old.  
Please read this instruction manual carefully before use.*

## **Important Notice**

*Our company's products are improving all the time, design and specifications are subject to change without notice. All the information in this manual has been carefully checked to ensure accuracy, if any printing errors, our company reserve the final interpretation right.*

# THANK YOU

- Thank you for choosing this product. The remote control model is designed to be fun to drive and uses high quality parts to improve durability and performance. The instruction manual you are reading is to make the product easier to understand and explain more thoroughly. We hope you enjoy this remote control model car. If you have any problems or need help, please call us and we will try our best to help you. You can also contact us through the following website: [www.udirc.com](http://www.udirc.com).
- This is a radio control model product, not a toy! which needs regular maintenance to obtain the best performance. If you don't do regular maintenance, it can affect performance. We have all the necessary parts and accessories to ensure that your vehicle maintains its best performance.
- The warning or attention symbol will alert you to potentially dangerous steps. Please read and understand the instructions carefully before proceeding.



**WARNING**



**ATTENTION**

*Failure to follow these instructions may result in injury to yourself or others. You may also cause property damage or model damage.*



**WARNING**

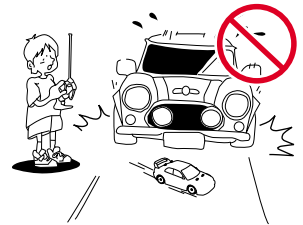
- The model must stop immediately and check for the reasons when it is operating abnormal.
- Keep in mind that people around you may also operate a radio control model.
- The motor is a heating part, please do not touch it.
- If you don't use the model for a long time, please raise the chassis to let the wheels hang in the air.
- Please keep the package or instructions as they contain important information.



- The product contains small and sharp parts. Keep away from children.



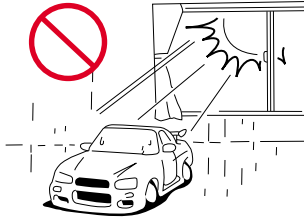
- Be sure to read the instruction manual in detail, or ask for the person with experience in operation, and read with the guardian if necessary.



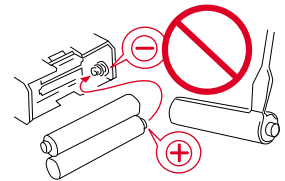
- DO NOT operate in public streets or crowded places to avoid accidents.



- Cutters, nippers and screwdrivers need careful handling.



- DO NOT put the model in high temperature, humidity and direct sunlight.



- Please don't reverse contact or disassemble the battery, as this way will cause the battery to explode.



## WARNING

### Before Operation

- Read the instruction manual in detail, or ask for the person with experience in operation, and read with the guardian if necessary.
- Make sure all screws and nuts are properly tightened.
- The remote control and the vehicle should always use the battery with saturated power to avoid losing control of the model.
- Please make sure that the throttle trigger is in the center position.

### During Operation

- First turn on the power of the remote control, and then turn on the power of the model.
- Use this product only in open areas (>4x4m) without pedestrians.
- DO NOT put fingers or any objects inside rotating and moving parts.

### After Operation

- First turn off the model power, then turn off the remote control power. And take out the battery.
- Daily maintenance is required after the model is used.



Battery  
safety

- Please read and observe all precautions before use. Improper use of battery may cause danger.
- It is normal for the battery to heat up after operation. Please be careful when handling the battery. If the wire is worn, it is easy to short circuit and cause fire.
- Wasted li-ion battery must not be placed with household trash. please contact local environmental or waste agency or the supplier of your model or your nearest li-ion battery recycling center.

- 1) After use, please disconnect the power supply and pull out the plug;
- 2) Remove the battery from the model before charging;
- 3) DO NOT charge the battery when it is bulging or expanding;
- 4) Keep away from damp, corrosive environment and heat source;
- 5) Please charge the battery under adult supervision;
- 6) Pay attention to the polarity of the battery when installing or replacing the battery;
- 7) Different types of batteries or old and new batteries should not be mixed;
- 8) DO NOT short circuit any terminals;
- 9) DO NOT short circuit, decompose or put the battery into fire;
- 10) Please use the attached special charger to charge the battery.

## WARNING

Warning: The product should only be used by adults and children over 14 years.

Adult supervision is required for children under 14 years.

Hinweis: Dieses Produkt ist für die Erwachsene und die Kinder ab 14 Jahren.

Die Kinder unter 14 Jahren müssen von Erwachsenen beaufsichtigt werden.

Avertissement: Ce produit est destiné aux adultes et aux enfants de plus de 14 ans.

Les enfants de moins de 14 ans doivent être surveillés par des adultes.

Avvertimento: Questo prodotto è destinato all'uso per i adulti e bambini di età superiore ai 14 anni.

I bambini di età inferiore ai 14 anni devono essere sorvegliati da un adulto.

Advertencia: Este producto es para adultos y niños mayores de 14 años.

Los niños menores de 14 años deben ser supervisados por adultos.

警告: この製品は、大人と14歳以上の子供には使用対象です。

14歳未満の子供は大人の監視が必要です。

اماع 14 نس قوف لافسطل او ني غلابلا لبق نم طقف جت نجلما مادختسا بجي ريذحت

اماع 14 نس نود لافسطل بولطم رابكنا فارشا.



**DANGER!**

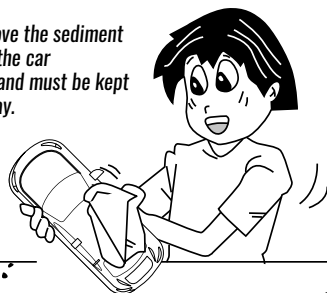
Only suitable  
for age 14+

# Product maintenance

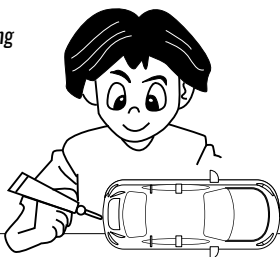
When not in use, remove the battery from the model and transmitter.



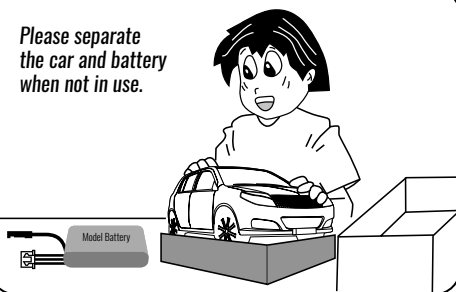
Please remove the sediment and dirt on the car completely and must be kept dry after play.



Apply lubricating oil to external metal parts.



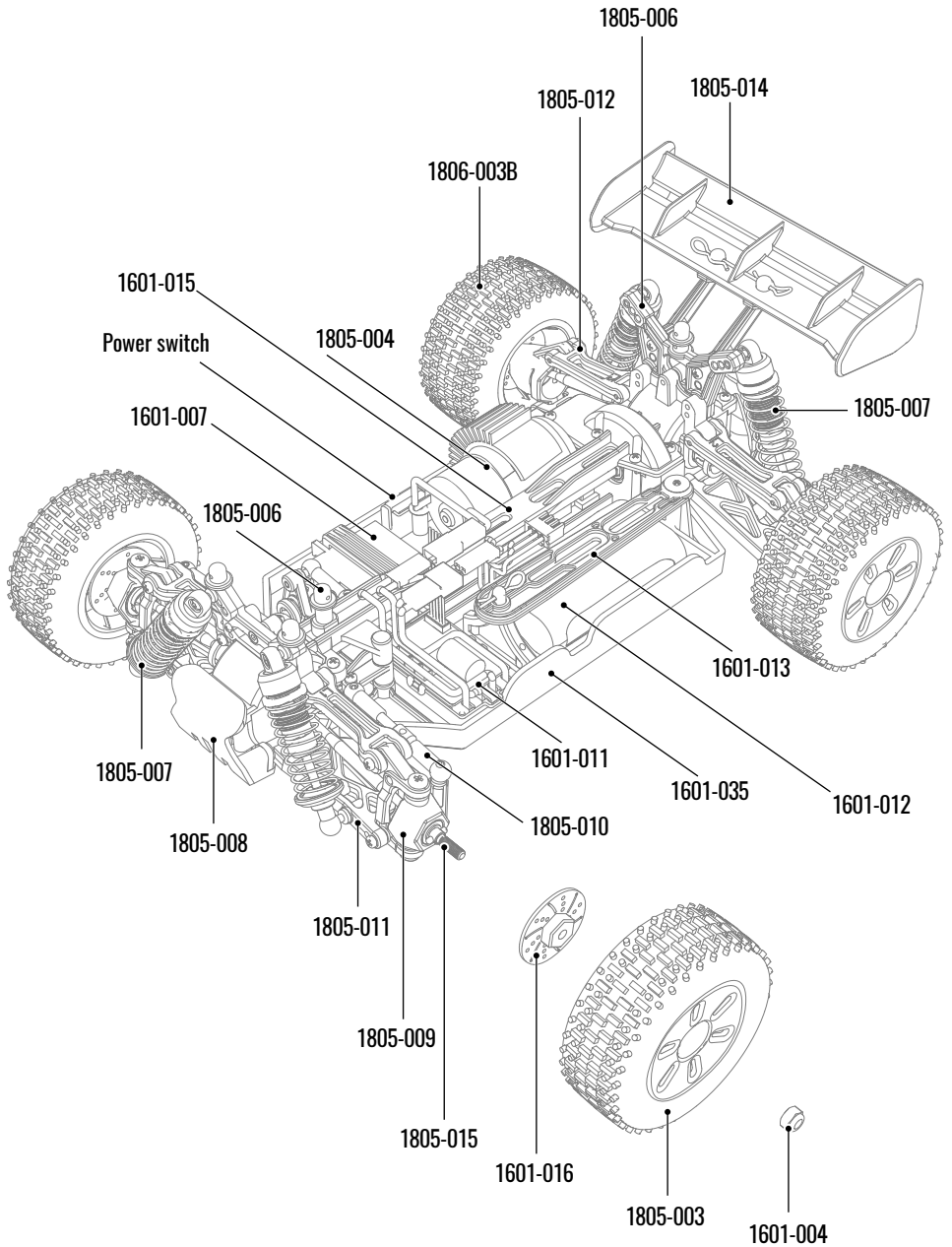
Please separate the car and battery when not in use.

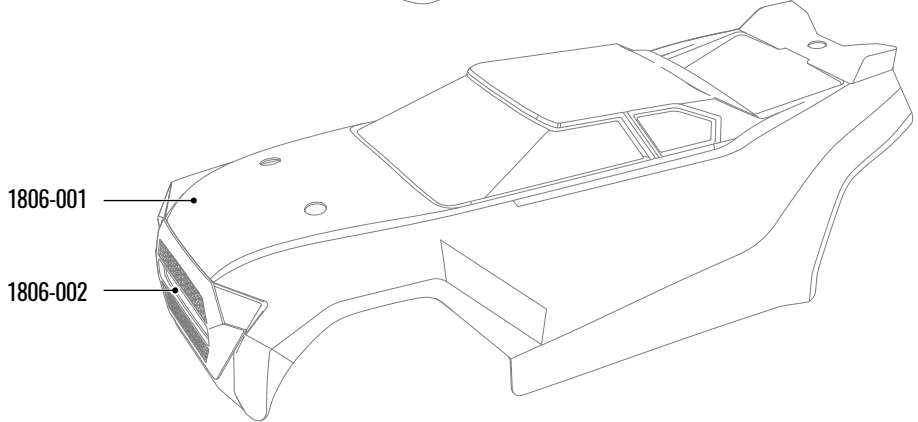
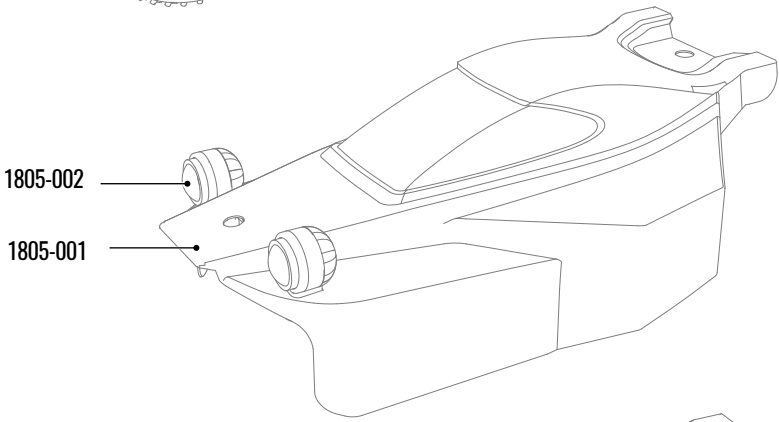
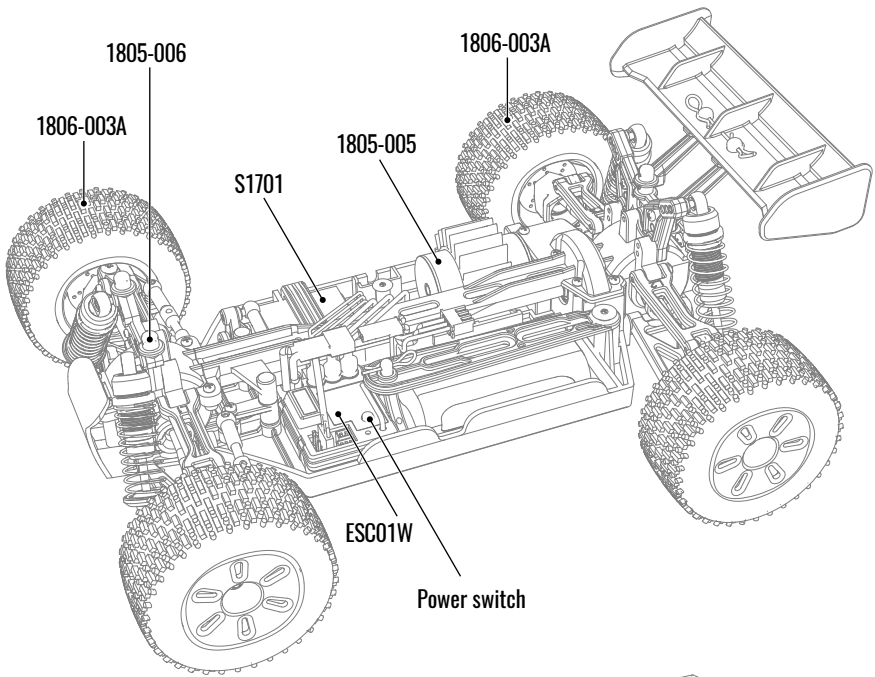


# Troubleshooting

| Cause   | Solution   |
|---|--|
| Remote control car doesn't work   | When the battery is low, charger it in time or replace it with new battery.  |
|   | Please make sure the wheel or drive shaft is entangled by debris and remove it.  |
|   | The motor may have reached the expiration date, replace with the same motor.   |
|   | Please keep the car within effective control distance.   |
|   | When the battery of the transmitter is low battery, please replace it in time.   |
|   | Check whether all parts of the model car are damaged and replace them.   |
|   | High temperature protection is triggered when the ESC's temperature is too high. Please pause for 10 minutes before using. |
| Long frequency matching time  | The signal is disturbed, restart the car and the transmitter.  |
| Operation delay   | Please make sure there are obstacles or interferences.   |
| The vehicle moves forward (backward) automatically or makes a sound of "en...." | Restart the transmitter  |
| The indicator of the transmitter is not bright                                  | Please make sure the battery is installed correctly or replace it with a new one.  |
|   | If the transmitter doesn't work, please replace it with a new one.   |
| The steering of the model car has no force or function                          | Increase the percentage of steering.   |
|   | Please make sure the steering is it include the sundries or some parts damaged.  |

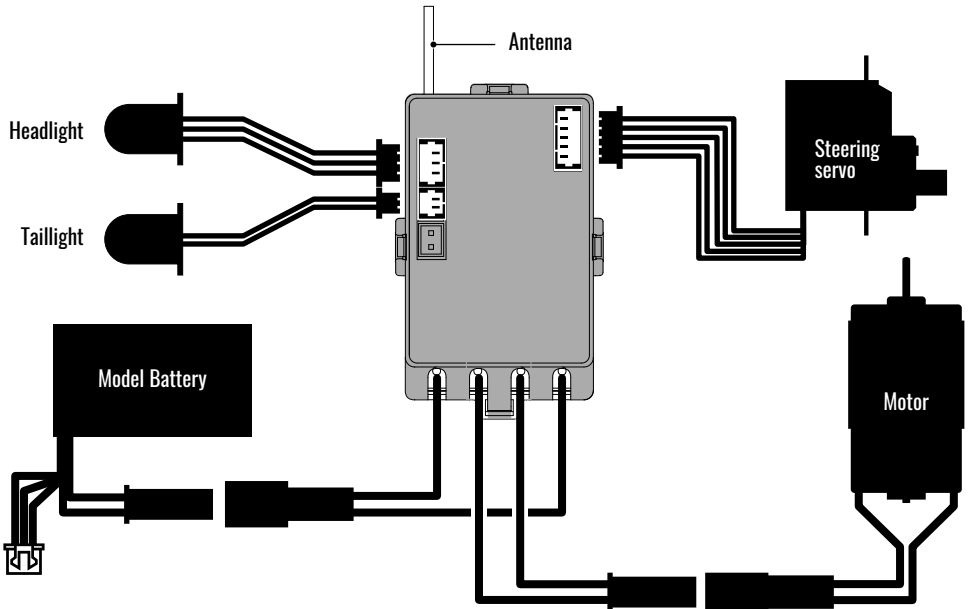
# Model Car Summary



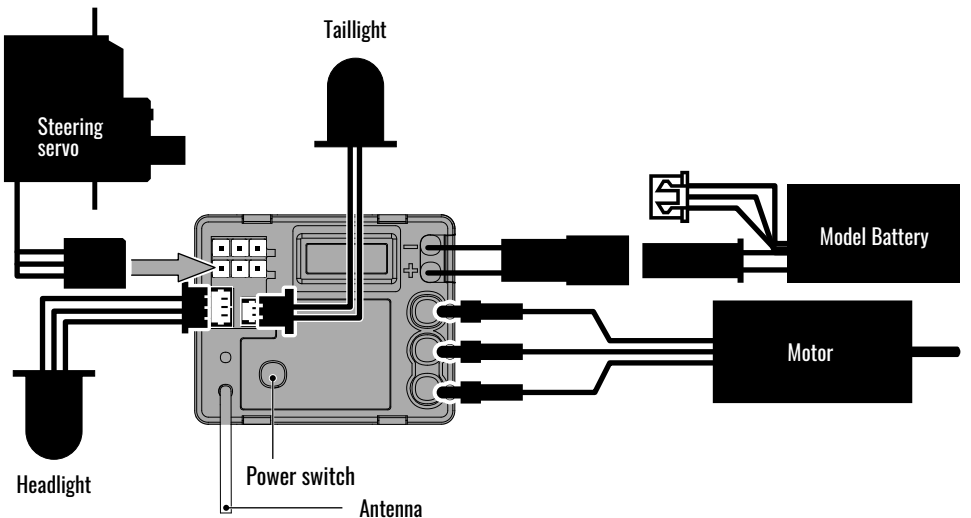


# Electronic speed controller

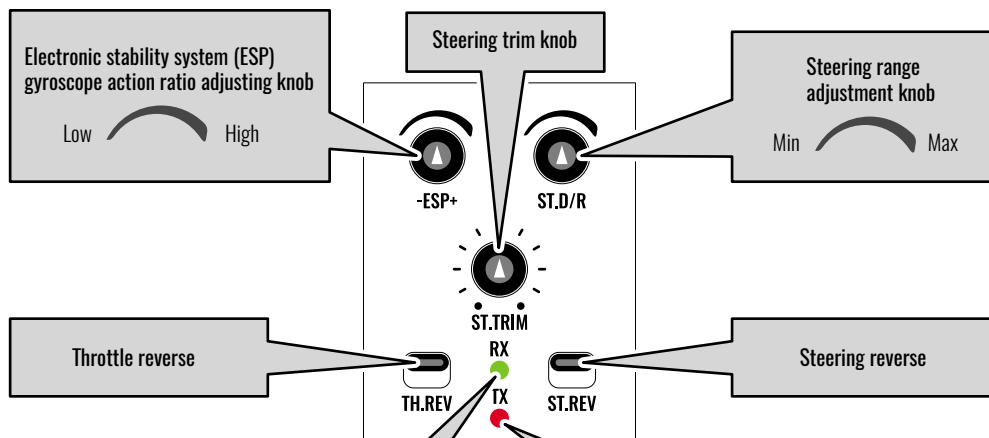
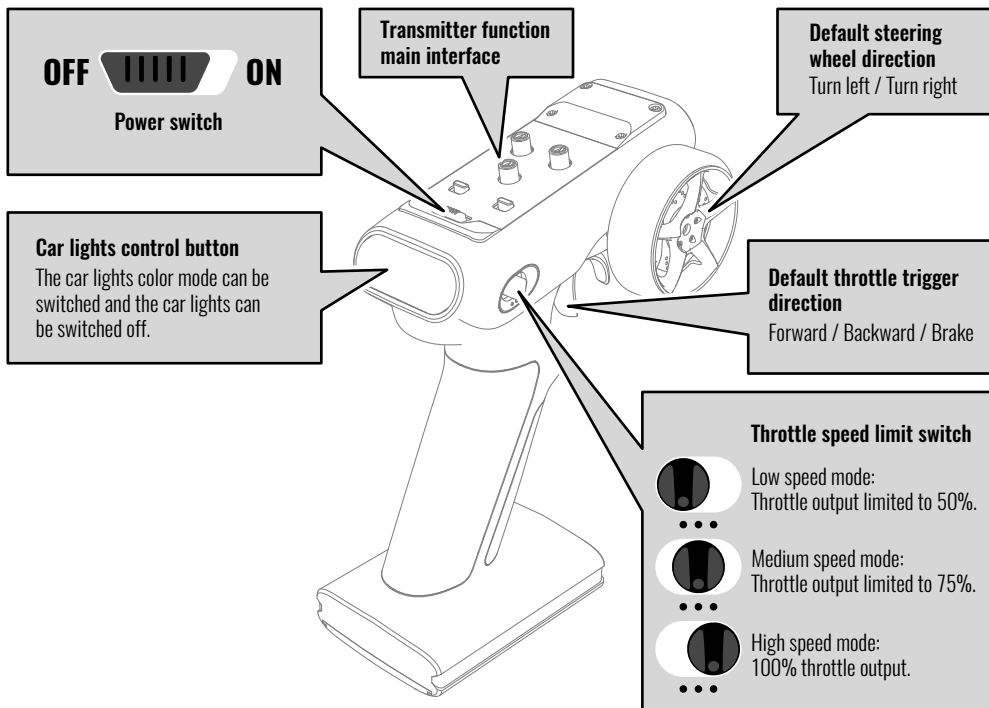
1601-011



ESC01W



# Preparation of transmitter



**Car status indicator (green)**  
When the battery of cars is in low battery, the indicator light will flash. It remind operator to replace the battery as soon as possible to avoid accidents.

**Transmitter indicator (red)**  
When the signal is weak or interrupted, the indicator will flash quickly. When the power of the transmitter is low, the indicator light will flash slowly. The above situation should be handled as soon as possible to avoid accidents.

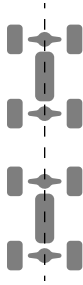


## Adjustment of gyroscope action ratio

This product has the function of ESP car stability system, which can effectively correct the car attitude and direction when the car skids or loses control. The function and sensitivity of the car gyroscope sensor can be adjusted through the ESP knob of the transmitter.



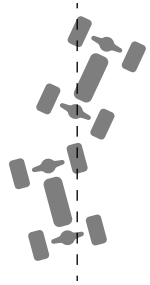
-ESP+



The action ratio decreased



The action ratio increases



## Steering range adjustment

The steering range adjustment knob can be used to adjust the left and right steering angle of the car.



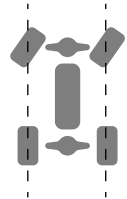
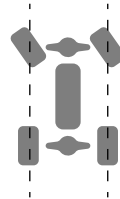
ST.D/R



Minimum steering angle



Maximum steering angle

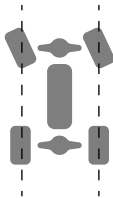


## Steering trim

When the steering wheel is in the center position, if the car can not drive in a straight line, please use the steering trim knob to adjust and correct the left and right directions of the front wheels.



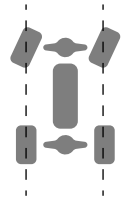
ST.TRIM



When the front wheel is left, the knob rotates to the right.



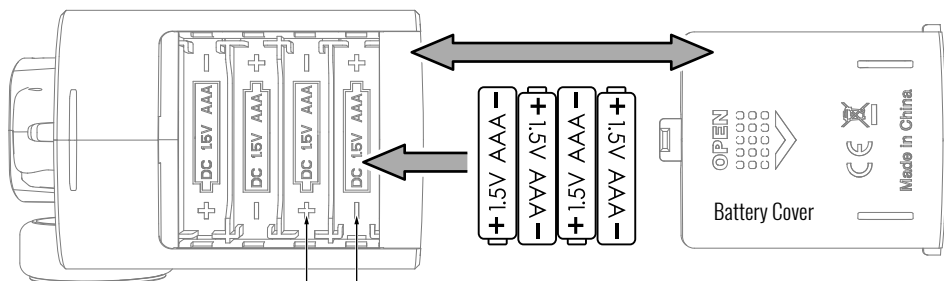
When the front wheel is right, the knob rotates to the left.



ATTENTION

- 1) There is no ESP function when the remote control car retreats.
- 2) When the remote control car is moving forward, it is necessary to pull the throttle trigger backward to reach more than 30% of the stroke before the gyroscope starts to work.
- 3) With the increase of car speed, the gyroscope action ratio also increases synchronously.

## Assembly of the transmitter battery



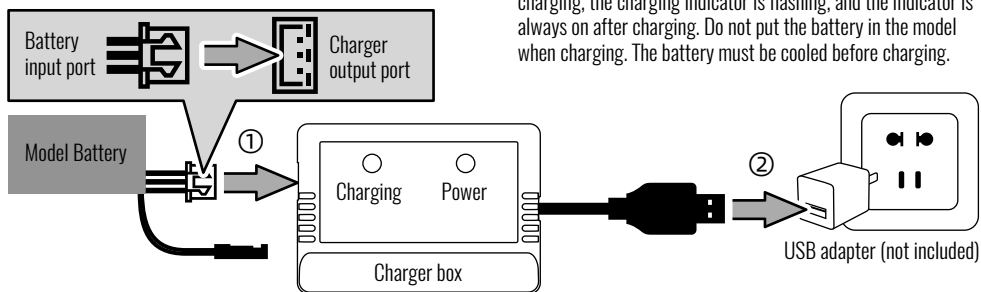
**! Note Direction.** 1.5V×4 AAA Batteries(not included)

Open battery cover at the bottom of transmitter. Install batteries.  
Follow the direction of batteries designated in the inside of the battery box.

## Model Battery charging

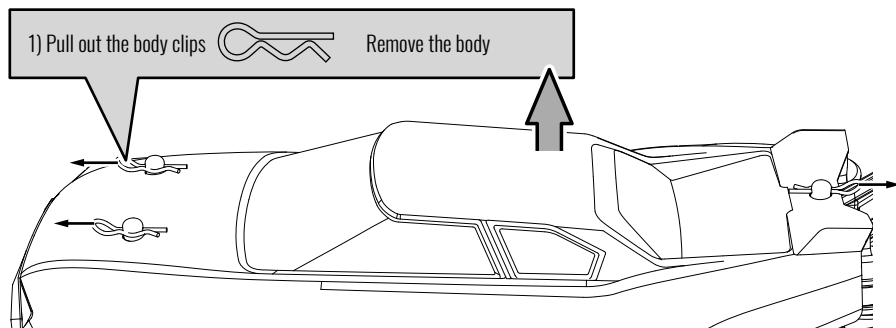
The battery contains less power when leaving the factory, so it must be charged and saturated before use.

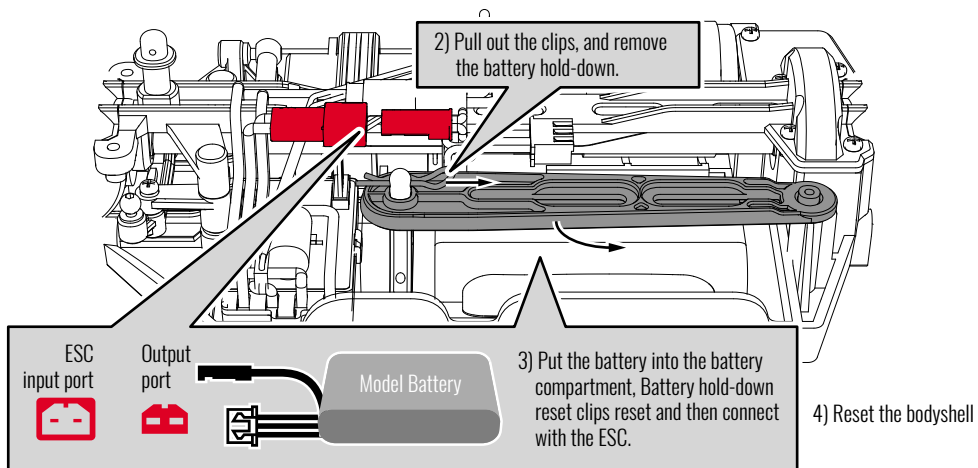
Connect the attached charger with the model battery charging input port, and then connect other USB output ports. When charging, the charging indicator is flashing, and the indicator is always on after charging. Do not put the battery in the model when charging. The battery must be cooled before charging.



**Warning: someone must be watching while charging.**  
Please use the charging box provided with the product and make sure it is connected properly.

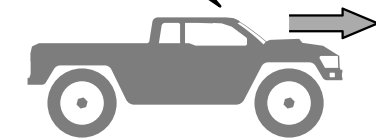
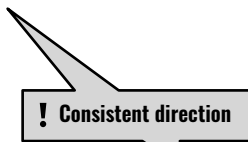
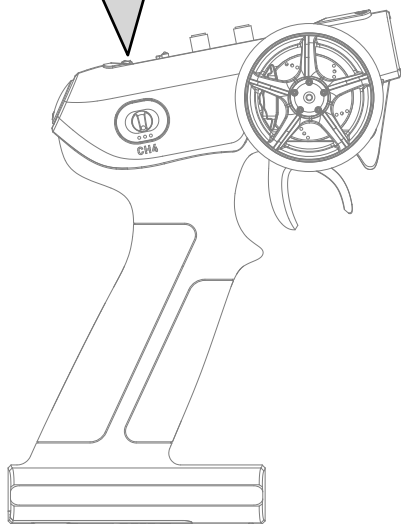
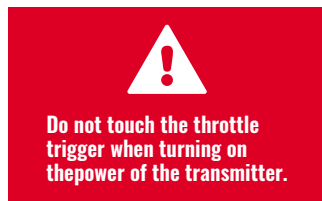
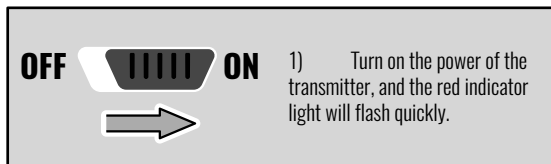
## Assembly of model battery



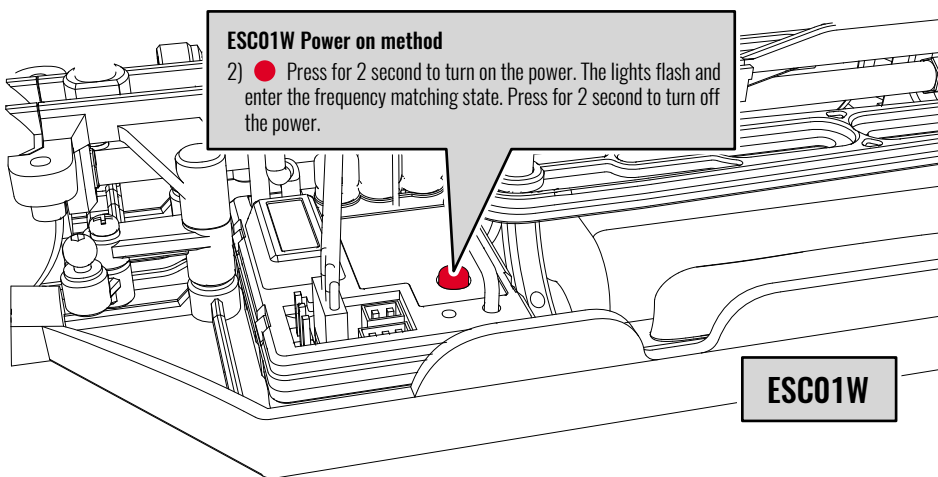
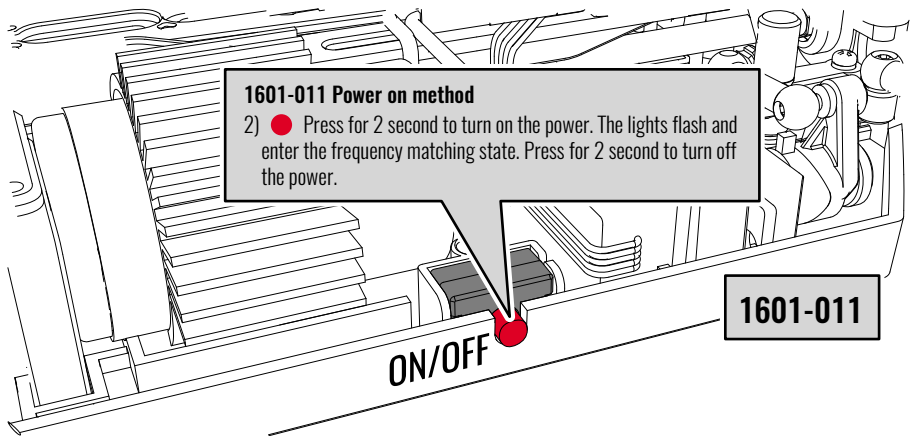


## Operational guidance

### 1> Frequency matching



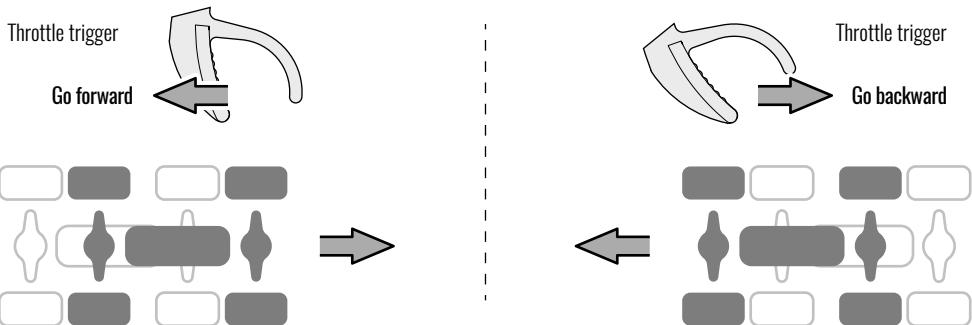
Place the model on level ground



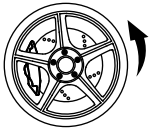
After the car power is turned on, the transmitter and the car will carry out automatic frequency matching. When the indicator light of the transmitter and the car lights are always on, the frequency matching is successful. In the process of frequency matching, the car lights will flash rapidly. At this time, the gyroscope is being calibrated automatically. Please place the car on the level ground to complete this operation. After calibration, the car lights return to normal.

2>

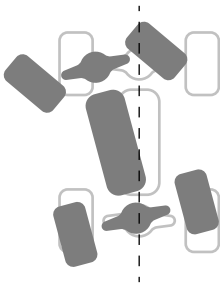
## Manipulation method



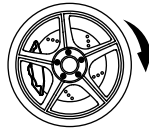
Steering wheel



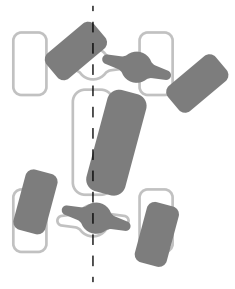
Turn left



Steering wheel

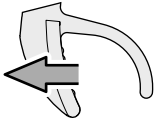


Turn right



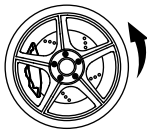
**Turn left and move forward**

Throttle trigger



Go forward

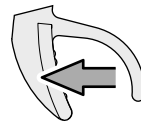
Steering wheel



Turn left

+

Throttle trigger



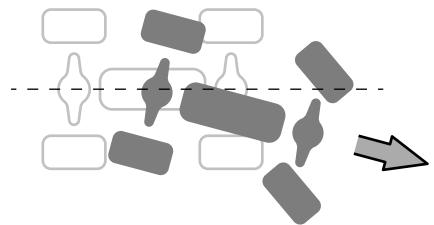
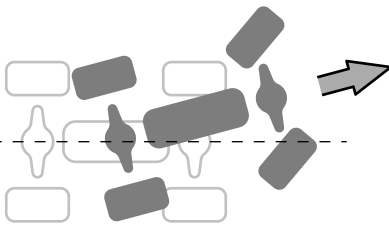
Go forward

Steering wheel



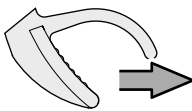
Turn right

+



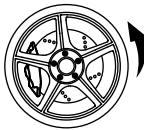
**Turn left and move backward**

Throttle trigger



Go backward

Steering wheel

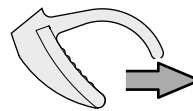


Turn left

+

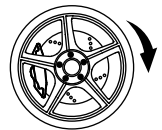
**Turn right and move backward**

Throttle trigger



Go backward

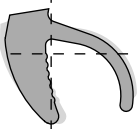
Steering wheel



Turn right

+

**Low speed**



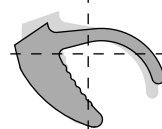
Pull the throttle trigger back gently and the car will move forward slowly.

**High speed**



The throttle trigger is pulled to the maximum, and the car moves forward quickly.

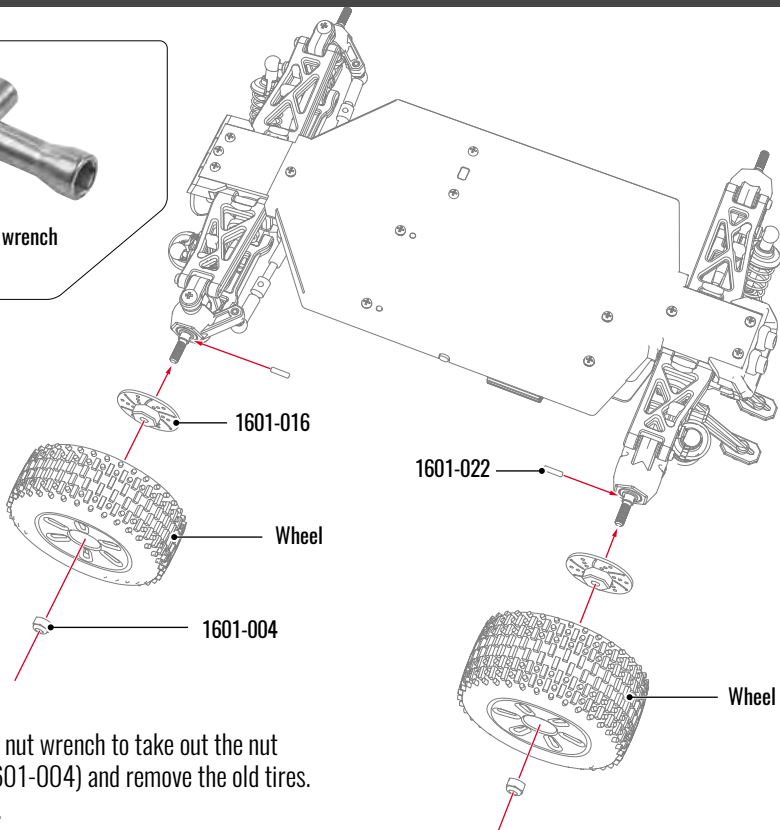
**Brake/Backward**



When the car is moving forward, the throttle trigger is pushed forward and the car stops moving. After the throttle trigger returns to the middle position, it pushes forward again, and the car moves backward.

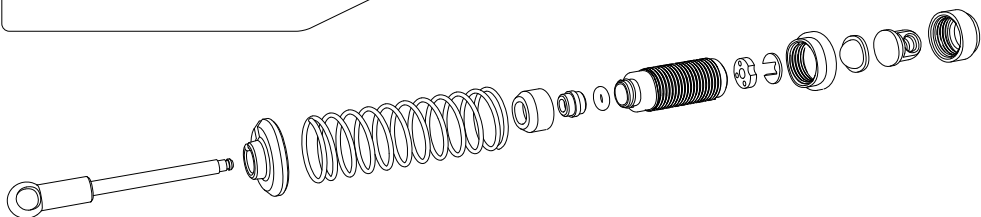
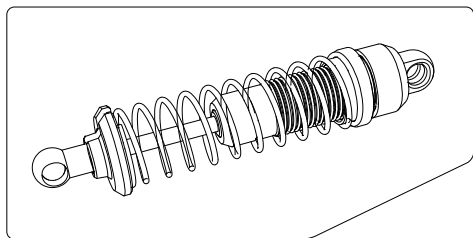
# Parts exploded view

## Installation of wheels

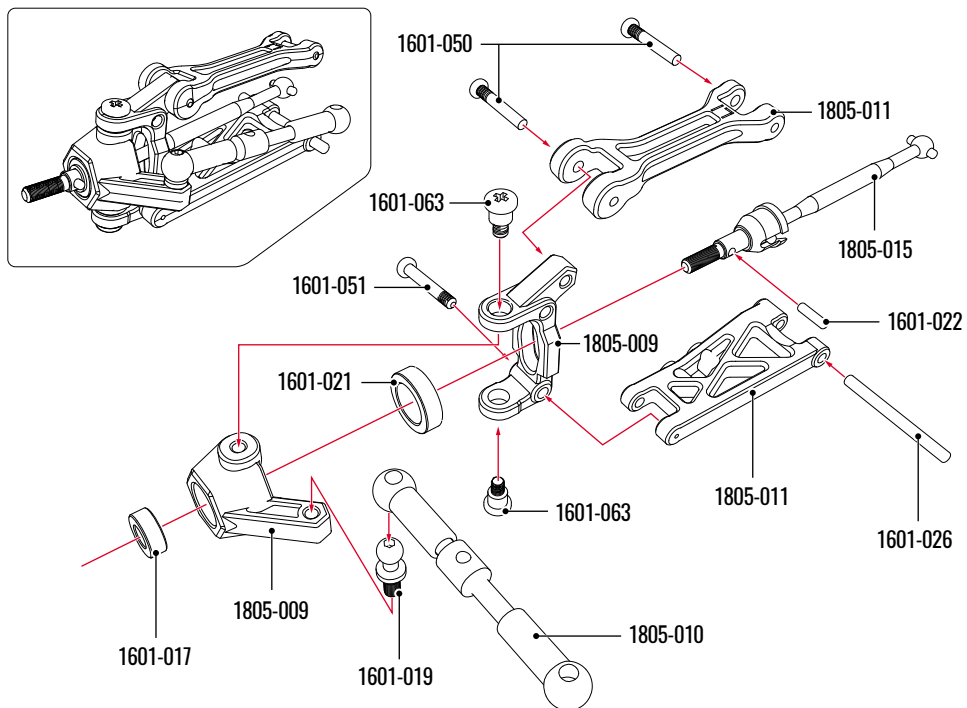


Use the hexagon nut wrench to take out the nut fixing the tire(1601-004) and remove the old tires. Put on new tires.

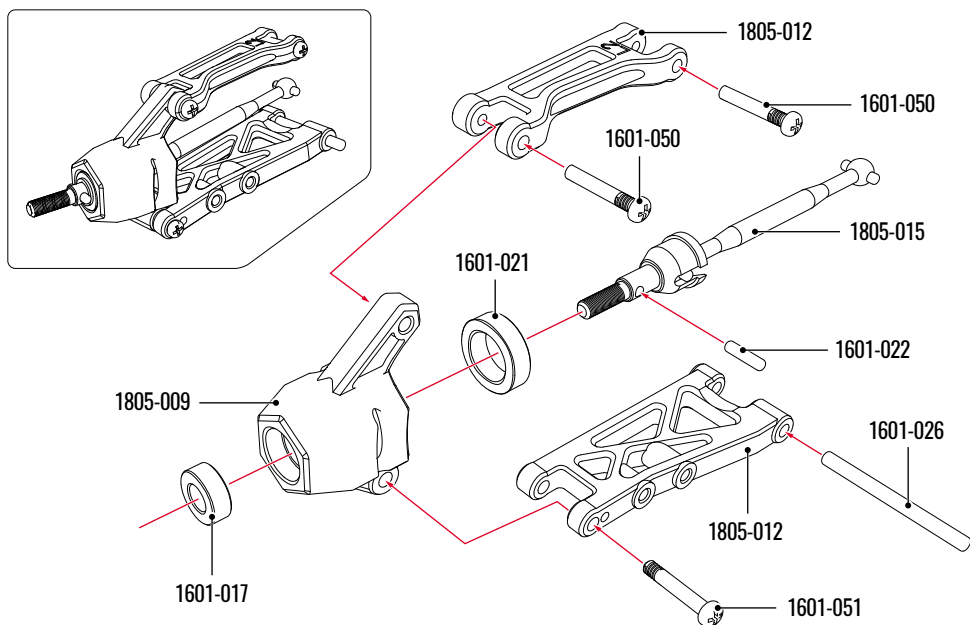
## Front and rear shock absorbers



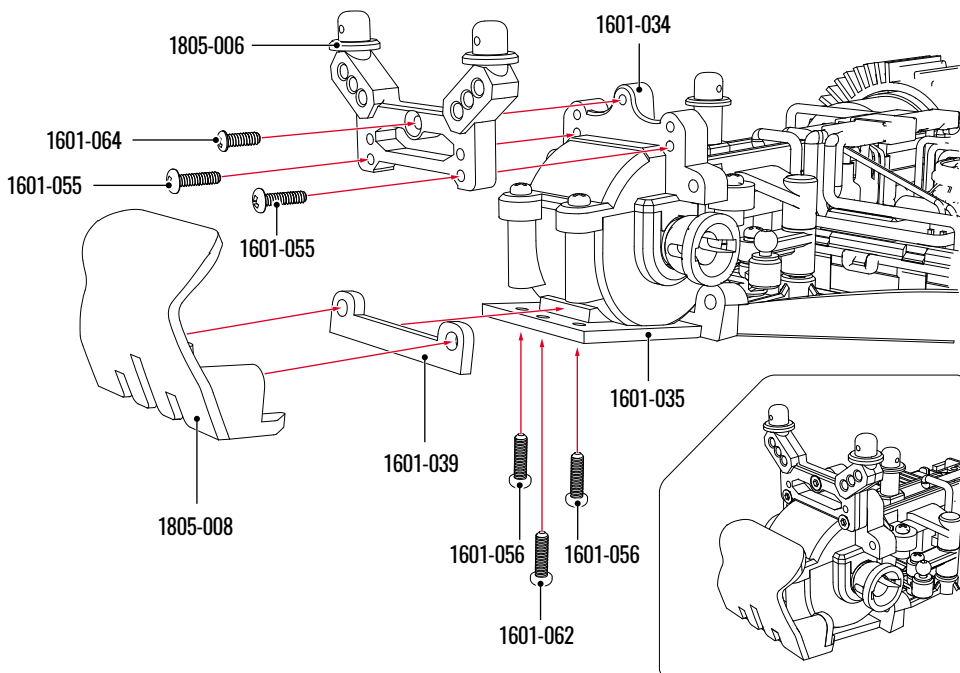
## Assembly of front suspension arm



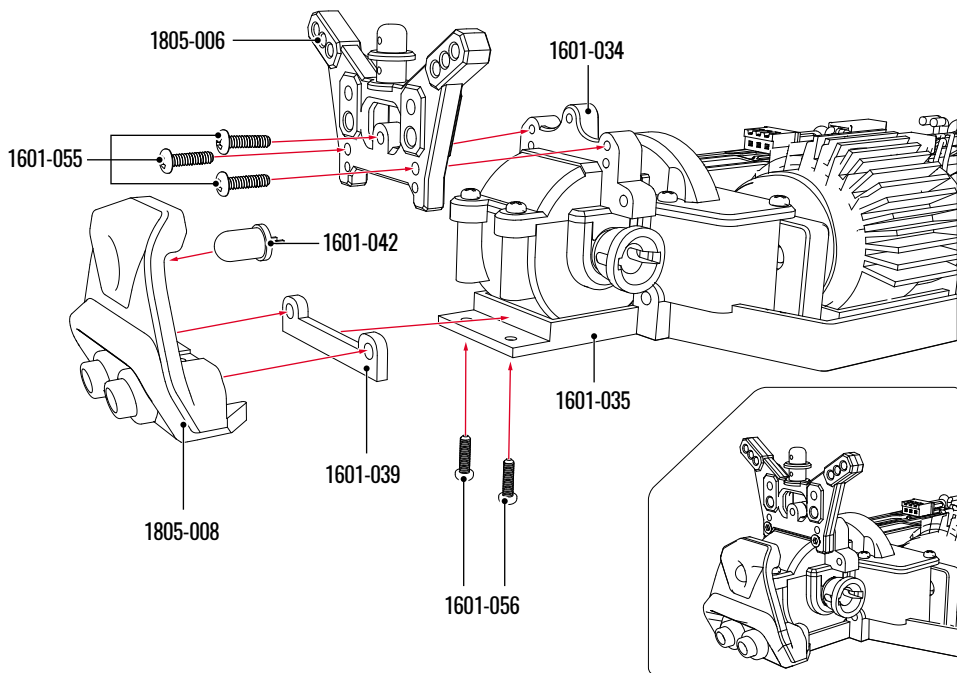
## Assembly of rear suspension arm



## Assembly of front bumper

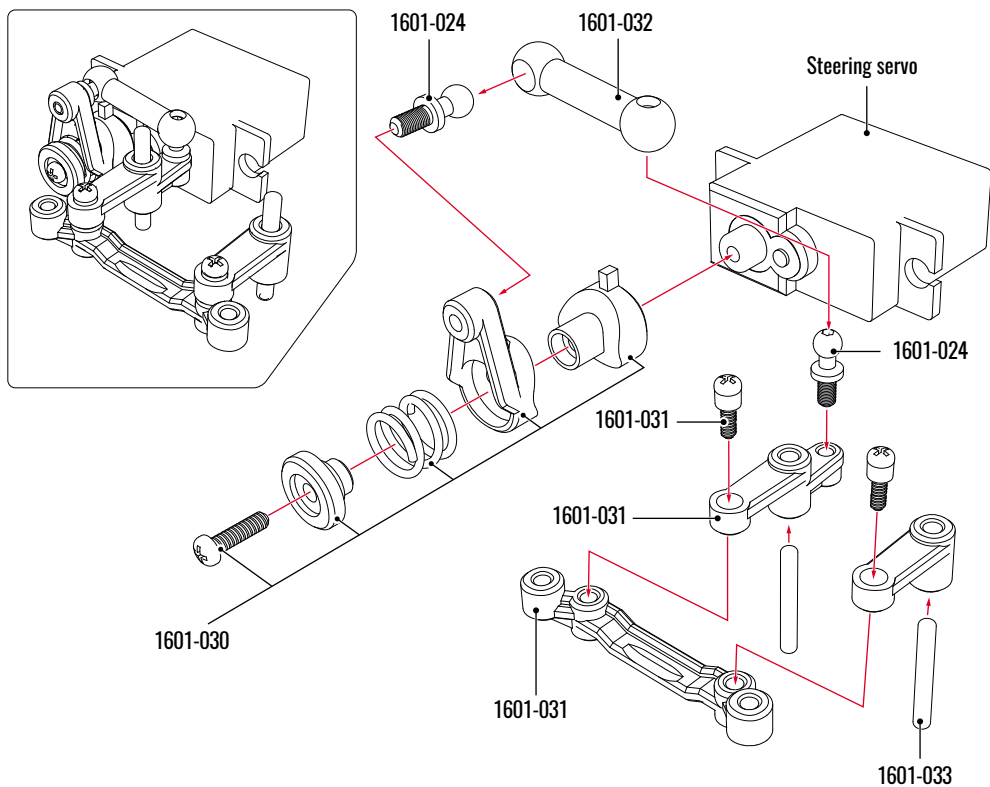


## Assembly of rear bumper

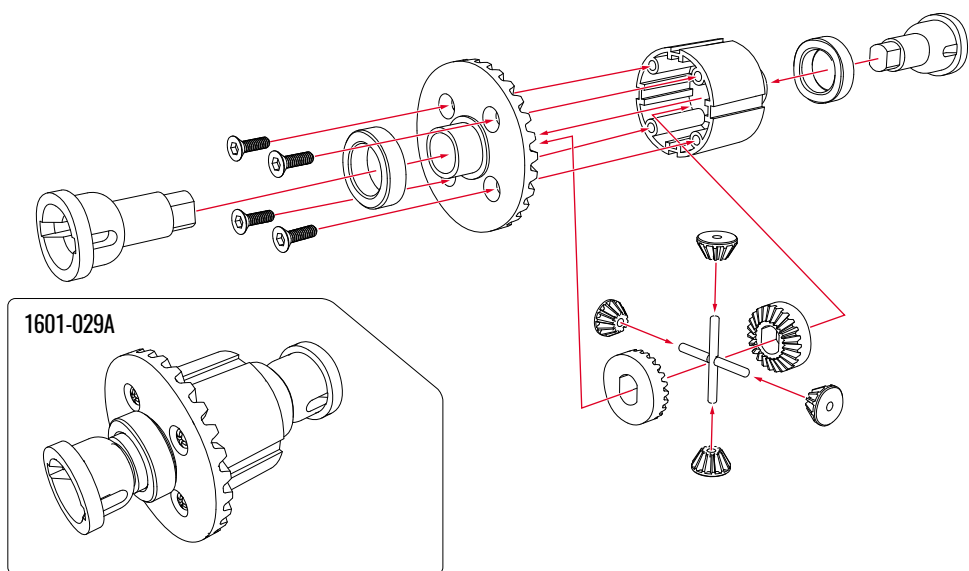




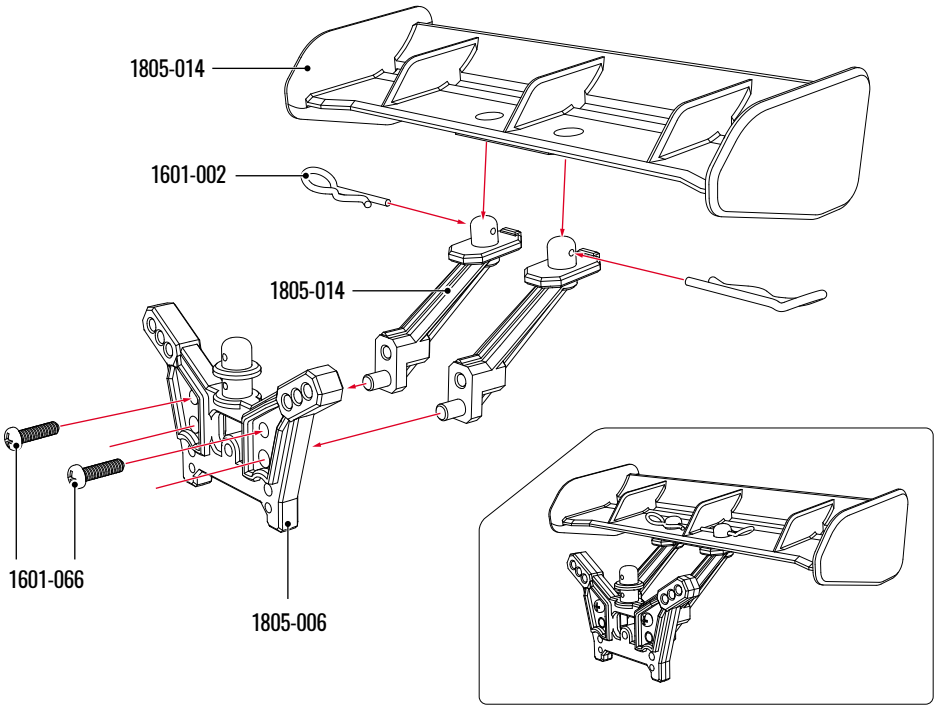
## Assembly of steering servo



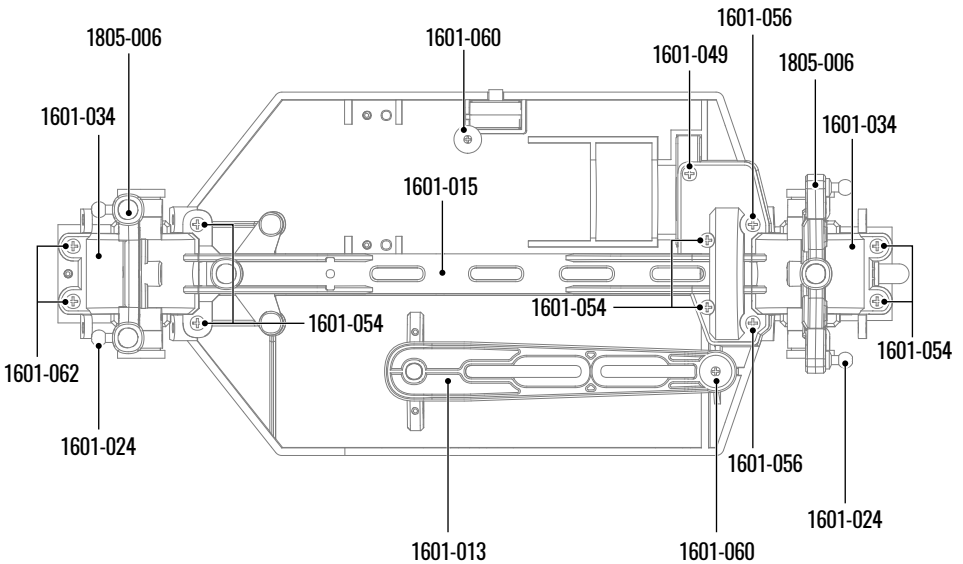
## Assembly of front(rear) differentials



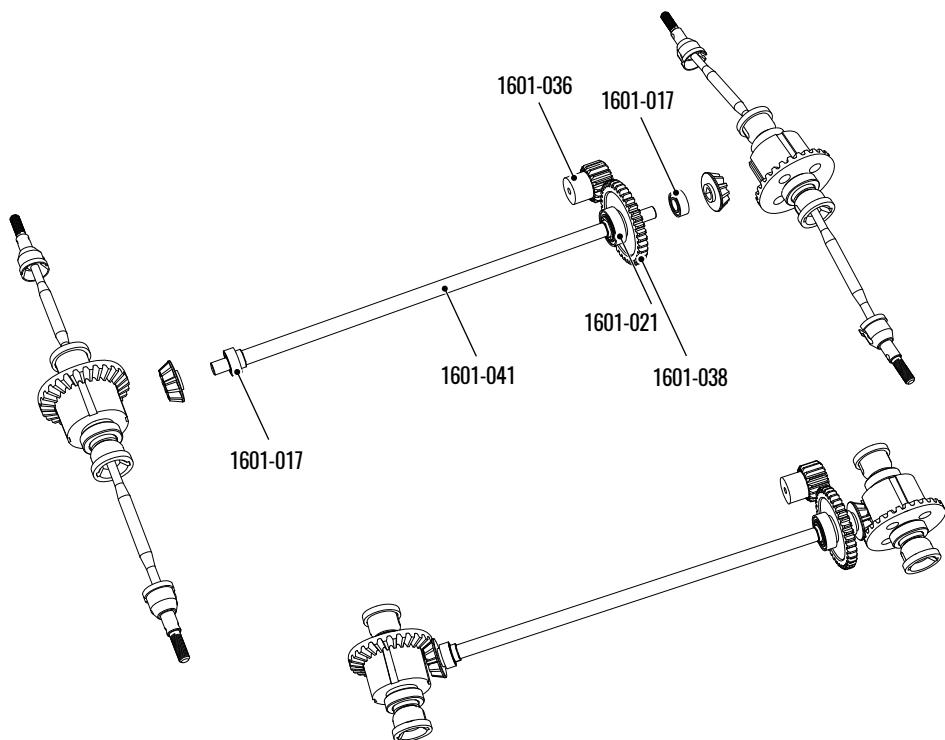
# Rear soplir



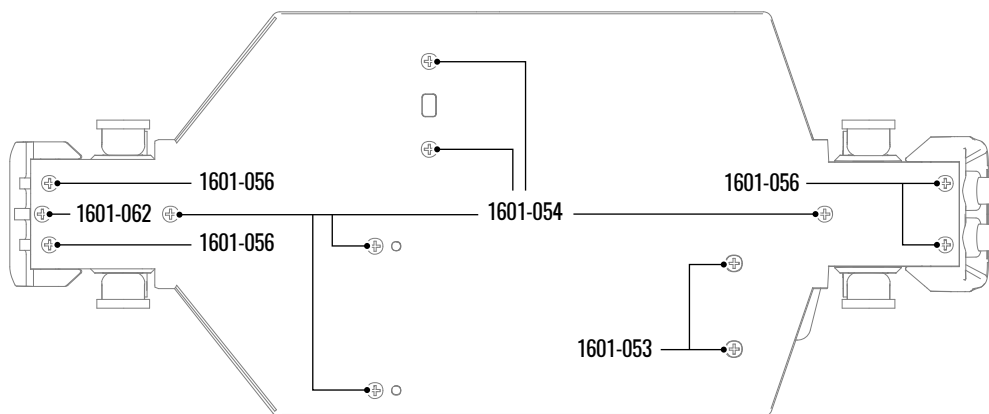
# Upper chassis



## Main propeller shaft system



## Assembly of chassis



# Buyable accessories

1805-001



Body assembly

1806-001



Body assembly

1601-002



Body clips × 4

1805-002



Headlight group(UD1805)

1806-002



Headlight group(UD1806)

1805-003



Wheel × 2

1806-003A



Wheel × 2

1806-003B



Wheel × 2

1805-004



Motor assembly(390)

1805-005



Motor assembly(Brushless)

1601-007



Steering servo(390 Motor)

S1701



Steering servo(Brushless)

1805-006



Front & Rear shock tower assembly

1805-007



Front & Rear shock absorber

1805-008



Front & Rear bumper assembly

1601-011



Electronic speed controller (390 Motor)

ESC01W



Electronic speed controller (Brushless)

1601-012



Model battery

1601-013



Battery hold-down

1601-015



Upper chassis



Wheel adapters × 4

Front & Rear wheel carriers assembly

Adjustable steering linkage

Suspension arms (front)



Driveshaft assembly × 2

Suspension arms (rear)

Differential assembly

Servo saver



Steering bellcrank

Rudder connecting rod

Differential housing

Chassis



Motor gear

Motor mounts(390 Motor)

Motor mounts(Brushless)

Main spur gear



Bulkhead tie bars

Main driveshaft  
ø5.5×149mm

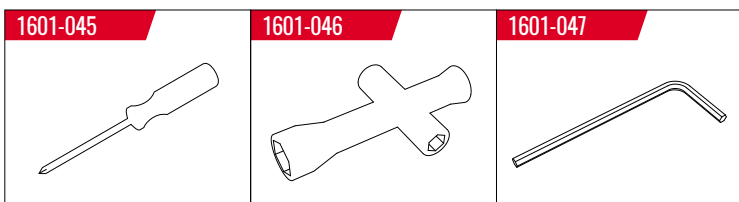
Taillight group

Charger



Transmitter

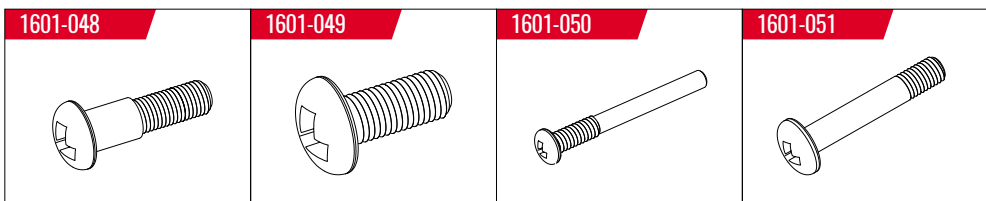
Rear spoiler assembly



Cross screwdriver

Hexagon nut wrench  
2-4mm

Hex wrench

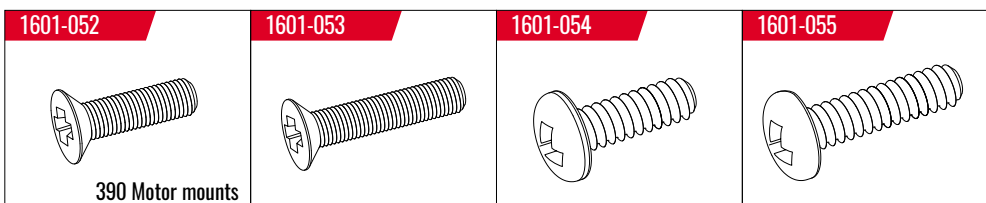


Ø2.5×11.8mm PM  
Shoulder screws ×8

Ø2.5×5mm PM  
Screws ×8

Ø2×13mm PM  
Screw pin set ×8

Ø2.5×16.5mm PM  
Screw pin set ×8

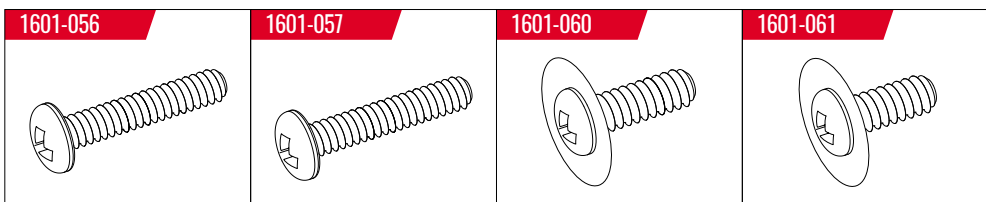


Ø2.5×8.5mm KM  
Screws ×8

Ø2.5×11.5mm KM  
Screws ×8

Ø2.3×8mm PB  
Screws ×8

Ø2×10mm PB  
Screws ×8

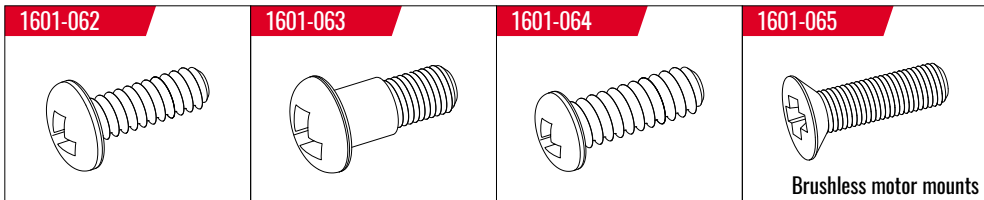


Ø2.3×14mm PB  
Screws ×8

Ø2.5×15mm PB  
Screws ×8

Ø2.3×8×Ø8mm PB  
Screws ×8

Ø2.3×5×Ø7mm PB  
Screws ×8

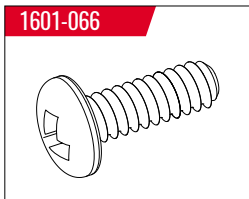


**Ø2.3×6mm PB  
Screws ×8**

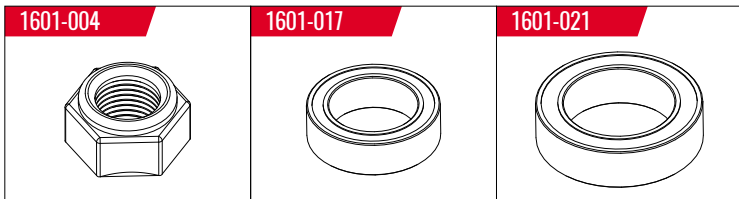
**Ø4×6.6mm PM  
Shoulder screws ×8**

**Ø2×8mm PB  
Screws ×8**

**Ø3×8mm KM  
Screws ×8**



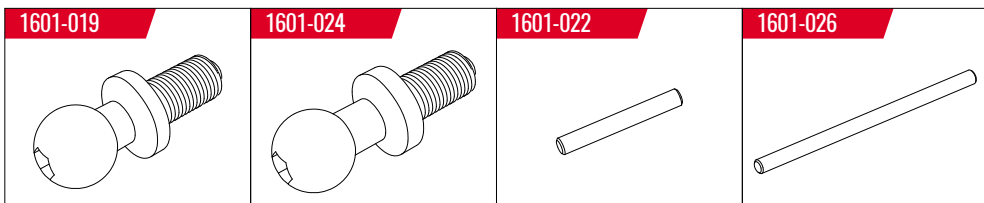
**Ø2.6×8mm PB  
Screws ×8**



**Hex flanged nylon  
insert lock nut ×4  
M3**

**Ø8×Ø4×3mm  
Ball bearing ×4**

**Ø12×Ø8×3.5mm  
Ball bearing ×4**

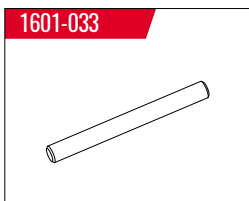


**Ø2.5×10mm  
Pivot balls ×4**

**Ø2.5×12mm  
Pivot balls ×4**

**Ø1.8×6.8mm  
Pin ×4**

**Ø2.5×32mm  
Pin ×4**



**Ø2.5×21mm  
Pin ×4**

**CAUTION: The above pictures and contents are for reference only and are subject to change without notice. Please subject to the parts actually sold.**

# FCC Note

This equipment has been tested and found to comply with the limits for a Class B digital device, pursuant to Part 15 of the FCC Rules. These limits are designed to provide reasonable protection against harmful interference in a residential installation. This equipment generates uses and can radiate radio frequency energy and, if not installed and used in accordance with the instructions, may cause harmful interference to radio communications. However, there is no guarantee that interference will not occur in a particular installation. If this equipment does cause harmful interference to radio or television reception, which can be determined by turning the equipment off and on, the user is encouraged to try to correct the interference by one or more of the following measures:

- Reorient or relocate the receiving antenna.
- Increase the separation between the equipment and receiver.
- Connect the equipment into an outlet on a circuit different from that to which the receiver is connected.

**WARNING: Changes or modifications not expressly approved by the party responsible for compliance could void the user's authority to operate the equipment.**

## FCC Notice

The equipment may generate or use radio frequency energy. Changes or modifications to this equipment may cause harmful interference unless the modifications are expressly approved in the instruction manual. Modifications not authorized by the manufacturer may void user's authority to operate this device.

This device complies with Part 15 of the FCC Rules. Operation is subject to the following two conditions:

- (1) This device may not cause harmful interference.
- (2) This device must accept any interference received, including interference that may cause undesired operation.

## FCC Radiation Exposure Statement

The device has been evaluated to meet general RF exposure requirement.  
The device can be used in portable exposure condition with out restriction.



Demo video



Operation guide  
download



**Manufacturer: UDIRC TECHNOLOGY CO., LTD**

Address: Guangfeng Industrial Zone, Guangyi Street, Chenghai District, Shantou City, Guangdong Province, CN

MADE IN CHINA